

ENTRANCE MANAGEMENT SYSTEMS

VV-VM2600PUV-D10

PORTABLE AREA SCAN UNDER VEHICLE SCANNING SYSTEM



FEATURES

Area scan sensor generate high resolution image with low distortion

4K full HD color image output up to 5,000 x 4096 pixels

Real time image display of chassis / under-carriage in the management system

Support vehicles with different height of chassis, no limitation for vehicle length

Embedded bi-directional triggers, support bi-directional scan

Support high vehicle speed, up to 40km/h

IP68 rated weather proof scanning flush-mount UVSS unit

Shock-proof design

Management software package for UVSS

Simultaneous monitoring & recording of images of multiple areas with up to 4 additional IPC channels (optional)

TECHNICAL SPECIFICATIONS

VV-VM2600PUV-D10

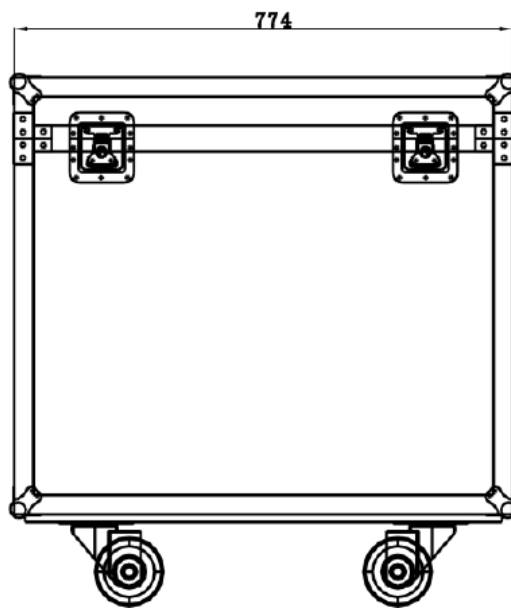
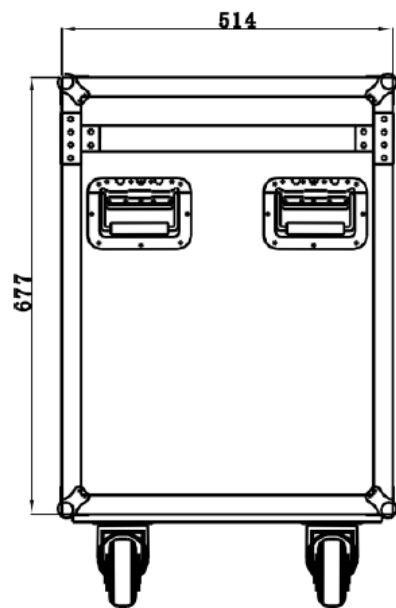
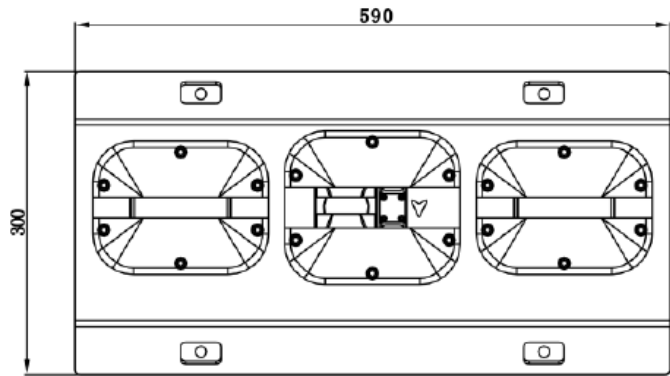
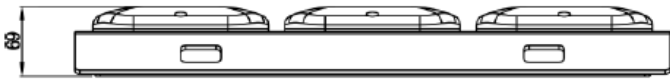
ANPR	Sensor	1/1.8-inch CMOS
	Resolution	1920 x 1080
	Lens Type	2.8-12 mm varifocal Lens
	Adapt to Vehicle Speed	0-60 km/h
	System Compatibility	ONVIF (Profiles S, G, T)
	Video Codec	H264, H265
	Image Codec	JPEG
	De-Noise	3DNR
	Dynamic Range	96dB
	Aperture	Fixed
	Capture Rate	> 99.5%
	License Plate Authentication	Capture license plate, optional white-list & black-list classification
	Ethernet	1 port 10/100/1000M RJ45
	Protection Level	IP65
Server	CPU	Core i5
	Memory	Minimum 8GB
	Hard Disk	128G SSD + 1TB HDD
	Monitor	27 inch, IPS, 1080P
	Power Consumption	< 24W
	Working Temperature	-10°C - 50°C
	Protection Level	IP65
	Power Supply	AC 100V ~ 240V
Under Vehicle Scanner System	Area Scan Speed	Forward: 0 - 40 km/h, Backward: 0 - 40 km/h
	Scanning Method	Area scan
	Day/Night Mode	Auto
	Illumination Source	White light
	PoE	6 ports 10/100/1000M RJ45
	PoE Standard	IEEE802.3af/at
	Height Limit	80 - 2000 mm
	Width Limit	< 4500 mm
	Length Limit	No limit
	View Angle	> 180°
	Resolution	> 10000 x 4096
	Capture Rate	> 99.9%
	Power Supply	AC 100V ~ 240V
	Working Temperature	-40°C - 70°C
	Working Humidity	≤95%
	Dimension	590mm x 300mm x 69mm
	Weight	39.2Kg
Total System Weight	Approx. 120 kg	
Premium Server (Optional & Customizable Configuration Available)	Display	Minimum 22-inch LCD/LED monitor , optional 27-inch monitor
	Processor	Intel Core i5 14th Gen or higher
	Motherboard	Embedded for continuous operation
	Memory (RAM)	DDR4, minimum 16GB
	System Disk	1TB SSD
	Additional Storage	2 x 6TB HDD (RAID 1 for redundancy)
	Graphics Card	Dedicated GPU with at least 6GB video memory
	Operating System	Windows 11 Pro (64-bit, genuine license)
	Software	Perpetual license required for all necessary applications
	Accessories	Includes keyboards, mouse, and other essential peripherals

*Exact products and specifications shown may vary by geographic region and are subject to change without notice. Weights and measurements are approximate and may vary.

TECHNICAL SPECIFICATIONS

VV-VM2600PUV-D10

DIMENSION:



VANTAGE INTEGRATED SECURITY SOLUTIONS LIMITED.

B3, Bredon House 321, Tenttenhall Road Tettenhall, Wolverhampton

West Midlands, WV6 0JZ United Kingdom

Ph: +44-1902-793383, Email: sales@vantagesecurity.com

www.vantagesecurity.com

(AN ISO 9001 : 2008, ISO 14001 : 2004 CERTIFIED COMPANY)

