

THERMAL IMAGING CAMERA

VV-NC92205D-AF4TH3T1 THERMAL NETWORK DOME CAMERA



FEATURES

Uncooled detector 256× 192 resolution

3.2mm@F1.1 thermal imaging lens

Temperature range: -20°C~150°C

Sound and light warning, temperature exception alarm, fire detection

Multi-palette: white hot, black hot, iron oxide red, etc.

Supports Intelligent analytics



TECHNICAL SPECIFICATIONS

VV-NC92205D-AF4TH3T1

Thermal Camera	Image Sensor	Vanadium oxide uncooled focal plane detector
	Effective Pixels	256(H) x192(V)
	Pixel Size	12 μ m
	Thermal Sensitivity (NETD)	\leq 50mK
	Response Waveband	8 μ m-14 μ m
	Color Palettes	Black hot, White hot, iron oxide red, etc.
	IRIS Type	Fixed Iris
Thermal Lens	Lens	3.2mm@F1.1
	Field of View	56°x42.2° (HxV)
	Min. Focusing Distance	0.5 m
	DRI Distance Human (0.75m)	Detection:133m(436ft),Recognition: 33m(108ft), Identification:17m(56ft)
	DRI Distance Vehicle (2.3m)	Detection:409m (1342ft),Recognition: 102m(335ft),Identification:51m(167ft)
Visible Light Module	Image Sensor	1/ 2.7 "progressive scan CMOS sensor
	Image Size	2592 x 1944
	Electronic Shutter	1/3 s ~ 1 / 100000 s
	Iris Type	Fixed Iris
	Min. Illumination	0.02 lux@F1.6,AGC ON;0.03 lux@F2.0,AGC ON; 0 lux with IR
	Lens	4mm@F1.6
	Field of View	81°x56.7°(HxV)
Compression	Video Compression	H.265 / H.264 / MJPEG
	H.264 Compression Standard	Baseline Profile / Main Profile / High Profile
	Audio Compression	G711A/U
	Bit Rate Type	VBR/CBR
	Bit Rate	128Kbps~ 8Mbps
Resolution and Frame Rate	Max. Resolution	Thermal : 256 x 192 Visible Light: 5MP (2592 x 1944), 4MP (2592 x 1520), 2K (2560 x 1440), 3MP (2304 x 1296),1080P (1920 x 1080), 720P (1280 x 720), D1, CIF, 480 x 240
	Main Stream	Optical: 60Hz: 5MP/4MP/2K/3MP/1080P/720P (1~30fps); 50Hz: 5MP/4MP/2K/3MP/1080P/720P (1~25fps) Thermal : 60Hz: 256 192 (the resolution of output image is 720P) (1~30fps); 50Hz: 256 192 (the resolution of output image is 720P) (1~25fps)
	Sub Stream	Optical: 60Hz: 720P/D1/CIF (1~30fps); 50Hz: 720P/D1/CIF (1~25fps) Thermal : 60Hz: 256 192 (the resolution of output image is 720P) (1~30fps); 50Hz: 256 192 (the resolution of output image is 720P) (1~25fps)
	Third Stream	Optical: 60Hz: D1/CIF/480 x 240(1~30fps); 50Hz: D1/CIF/480 x 240(1~25fps) Thermal : 60Hz: 256 192 (the resolution of output image is 720P) (1~30fps); 50Hz: 256 192 (the resolution of output image is 720P) (1~25fps)
Operational Features	Wide Dynamic Range	120dB
	BLC	Supported
	HLC	Supported
	Defog	Supported
	ROI	8 regions; each ROI to be configured separately

TECHNICAL SPECIFICATIONS

VV-NC92205D-AF4TH3T1

	Digital NR	Inbuilt 2D/3D DNR (Digital Noise Reduction) circuit
	Image Settings	ROI, Saturation, Brightness, Chroma, Contrast, Wide Dynamic, Sharpen, NR, etc. adjustable through client software or web browser
	General Function	Watermark, IP address filtering, video mask, heartbeat, password protection, non-photosensitive switch, image distortion correction
	Alarm Trigger	Motion detection, SD card error, SD card full, IP address conflict, Cable connection
	IR Range	20 ~ 30 m
Temperature Detection	Temperature Range	-20°C~150°C (-4°F~302°F)
	Temperature Accuracy	±8°C
	Temperature alarm	Over temperature alarm, low temperature alarm
	Temperature Measurement	10 rules in total (Point: up to 10, Line: 2, recommended, Area: 2, recommended)
	Fire Detection	Dynamic fire detection, up to 10 fire points detectable
Network	Protocols	UDP, IPv4, IPv6, DHCP, NTP, RTSP, RTP, RTCP, ICMP, IGMP, PPPoE, DDNS, SMTP, FTP, SNMP, HTTP, 802.1x, UPnP, HTTPs, QoS
	System Compatibility	ONVIF
	Max. User Access	10 Users
	Remote Monitoring	Web browser/NVMS2.X/Mobile APP
	Network Storage	Built-in micro SD card slot; up to 256GB
Analytics Feature	Sound & Light Warning	White light flashing alarm and sound alarm supported
	Smart Features	Optical: intrusion detection/line crossing detection (human/motor vehicle/non motor vehicle classification), scene change detection, video exception detection, target counting (human/motor vehicle/non-motor vehicle classification), face detection, face capture Thermal: fire detection, temperature exception alarm, intrusion detection/line crossing detection (human/motor vehicle classification)
Interface	Ethernet	1 RJ45 10/100 Ethernet port
	Audio	1CH 3.5mm MIC/LIN in audio input; 1CH built-in speaker
	Alarm	1CH alarm input; 1CH alarm output
	Reset Button	Yes, supported
General	Enclosure	IP66 Weather proof enclosure
	Power Supply	DC12V/POE (IEEE802.3 af, class0)
	Power Consumption	Max 9W
	Operating Temperature	-30 °C ~ 60 °C
	Operating Humidity	95% or less (non-condensing)
	Dimension	Ø111.5 × 99.6mm
Weight	Approx. 0.68KG	
Certifications	Certifications	CE, FCC, RoHS

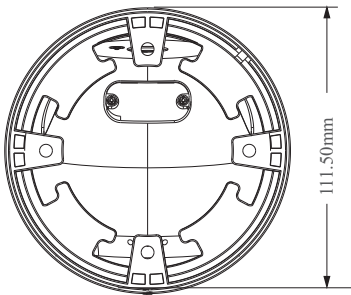
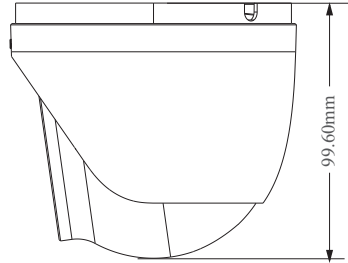
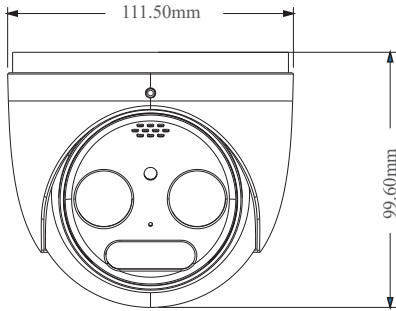
*Exact products and specifications shown may vary by geographic region and are subject to change without notice. Product image, weights and measurements are approximate and may vary.

TECHNICAL SPECIFICATIONS

VV-NC92205D-AF4TH3T1

DIMENSIONS

Unit: mm



VANTAGE INTEGRATED SECURITY SOLUTIONS LIMITED

B3, Bredon House 321, Tenttenhall Road Tettenhall, Wolverhampton

West Midlands, WV6 0JZ United Kingdom

Ph: +44-1902793383, Email: sales@vantagesecurity.com

www.vantagesecurity.com

(AN ISO 9001 : 2008, ISO14001 : 2004 CERTIFIED COMPANY)

