

FULL HIGH DEFINITION H.265 5MP IP DOME CAMERA

VV-NC91175D-AZ1IR2T1 IR NIGHT VISION MOTORIZED CAMERA



FEATURES

Full HD 5MP (2592 × 1944) resolution

1/2.5" Progressive Scan CMOS Sensor

Inbuilt smart IR LEDs with intensity control

High performance IR Cut mechanical filter for True Day & Night vision

Inbuilt WDR, 3D DNR, HLC, BLC, Defog & ROI functions

Support triple streams

Support CVBS video output and one-way audio

IP67 Weather proof outdoor enclosure



FR



Backlight
Compensation



Smart IR



IK10



IP67
Weather Proof

TECHNICAL SPECIFICATIONS

VV-NC91175D-AZ1IR2T1

Camera	Image Sensor	1/2.5" Progressive Scan CMOS Sensor
	Signal System	PAL/NTSC
	Effective Pixels	2592 (H) x 1944 (V)
	Minimum Illumination	Color : 0.013lux @F1.2,AGC ON; 0 lux with IR
	Electronic Shutter Speed	1 / 25 s ~ 1 / 100000 s
	Gain Control	Auto
	White Balance	Auto
	Signal to Noise	> 52 dB
	Iris	Fixed
Lens	Lens Type	3.3mm to 12mm Motorized Lens,Horizontal field of view: 93.9°~34.8°
	Lens Mount	M12
	Focus	Auto
	Zoom	Optical Zoom Adjustment
Day/Night Functionality	Day & Night	True Day & Night with ICR
	IR Cut	High performance Mechanical IR Cut Filter with auto switch
	IR Source	Inbuilt Smart IR LEDs with intensity control
	IR Range	Up to 50 Mtr.
Compression	Video compression	H.265 / H.264 / MJPEG
	H.265 codec profile	Main profile
	Audio Compression	G711A/ G711U
	Video Bit Rate	128Kbps ~ 10 Mbps
Resolution and Frame Rate	Max. Resolution	2592x1944
	Main Stream	50Hz: 25fps (2592 x 1944,2560 x1440,1920 x 1080,1280 x 720) 60Hz: 30fps (2592 x 1944,2560 x1440,1920 x 1080,1280 x 720)
	Sub/ Third Stream	50Hz: 25fps (1280 x 720,704 x 480,480 x 240, 352 x 204) 60Hz: 30fps (1280 x 720,704 x 480,480 x 240, 352 x 204)
Operational Features	Wide Dynamic Range (WDR)	120dB
	Defog	Supported
	BLC	Supported
	ROI	Each ROI to be configured separately
	HLC	Supported
	DNR	Inbuilt 3D DNR (Digital Noise Reduction) circuit
	Codec streaming capability	Triple streaming
	Image settings	Saturation, Brightness, Chroma, Contrast, Wide Dynamic, Sharpen, NR, Antiflicker, etc. adjustable through client software or web browser
	Security	Watermark, IP address filtering, video mask, heartbeat, password protection
	Onboard Storage	Built-in Micro SD / SDHC / SDXC card slot, up to 128 GB
	Alarm trigger	Motion detection; SD card error; SD card full
Network & Remote Monitoring	Protocols	IPv4/IPv6, UDP, DHCP, NTP, RTSP, PPPoE, DDNS, SMTP, FTP, SNMP, UPnP, HTTPs, 802.1x, QoS
	System compatibility	ONVIF
	CMS	Full function CMS (Central monitoring software)
	Mobile Client Application	Supports android and iOS APP for Smart phone and tablets
Interface	Bandwidth control	VBR (Automatic) and CBR (Manual) supported
	Ethernet	1 RJ45 10/100 Ethernet port
	Power Input	Standard DC Jack
	Audio In/ Out	1/1
	Video Output	CVBS output (BNC x 1)
	Alarm In/ Out	1/1
RS485	Supported	

TECHNICAL SPECIFICATIONS

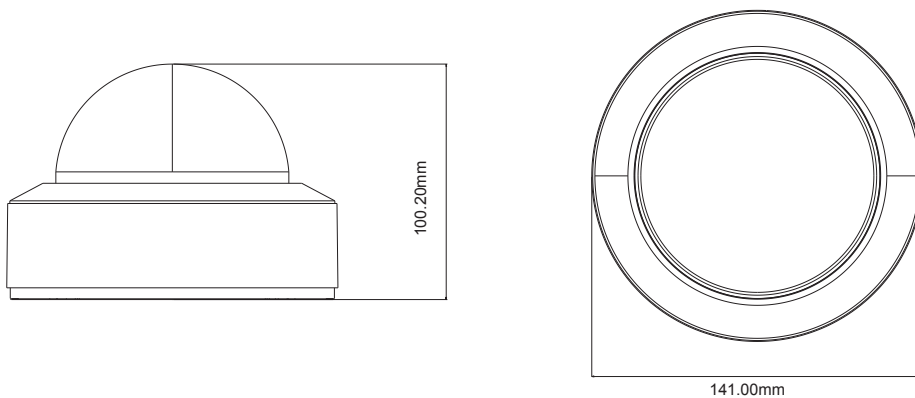
VV-NC91175D-AZ1IR2T1

Smart Features	Smart Analytics	Object removal detection, Regional intrusion detection, Abnormal video detection, Line crossing detection, People intrusion, People counting, Face detection, Crowd density (optional)
Electrical	Power Requirement	12 VDC \pm 10% , PoE (802.3af)
	Power Consumption	Max. <9W
Environmental	Enclosure	IP67 Weather proof outdoor enclosure
	Impact Protection	IK10
	Operating Temperature	-30°C to + 60°C
	Operating Humidity	95% or less (non-condensing)
Mechanical	Color	White
	Dimensions	Φ 141 x 100.2mm
	Weight	Approx. 0.89KG
Certifications	Certifications	CE, FCC, RoHS

*Exact products and specifications shown may vary by geographic region and are subject to change without notice. Product image, weights and measurements are approximate and may vary.

DIMENSIONS

Unit: mm



VANTAGE INTEGRATED SECURITY SOLUTIONS LIMITED

B3, Bredon House 321, Tenttenhall Road Tettenhall, Wolverhampton

West Midlands, WV6 0JZ United Kingdom

Ph:+44-1902793383, Email: sales@vantagesecurity.com

www.vantagesecurity.com

(AN ISO 9001 : 2008, ISO14001 : 2004 CERTIFIED COMPANY)

