

FULL HIGH DEFINITION 2MP IP BULLET CAMERA

VV-NC41832B-AF3WLIRT1 FULL COLOR DUAL ILLUMINATION FIXED CAMERA



COLOR ON
CAMERAS

FEATURES

Full high definition 2MP(1920 x 1080) resolution

1/2.8" progressive scan CMOS sensor

Dual night vision modes with smart IR LED and white LED supplementary light

High performance IR cut mechanical filter for true day & night vision

Inbuilt 120dB WDR, 3D DNR, HLC, BLC & ROI functions

Support triple streams

Inbuilt smart analytics

IP67 weather proof outdoor enclosure



TECHNICAL SPECIFICATIONS

VV-NC41832B-AF3WLIRT1

Camera	Image Sensor	1/2.8" progressive scan CMOS sensor
	Signal System	PAL/NTSC
	Effective Pixels	1920 (H) x 1080 (V)
	Minimum Illumination	Color : 0.008 lux @F1.6, AGC ON; 0 lux with illumination on
	Electronic Shutter Speed	1 / 3s ~ 1 / 100000s
	Gain Control	Auto
	Signal to Noise	> 50 dB
	Iris	Fixed
Lens	Lens Type	3.6 mm lens (2.8mm optional)
	Lens Mount	M12
	Focus	Fixed
	FOV	Horizontal FoV:89°;Vertical FoV:47.5°;Diagonal FoV:104°
Day/Night Functionality	Night Vision	True day & night with ICR
	IR Cut	High performance mechanical IR cut filter with auto switch
	IR Source	Inbuilt smart IR LEDs with intensity control
	IR Range	IR range: 20 ~ 30 m; white light range:20 ~ 30 m
Compression	Video Compression	H.265+ / H.265 / H.264 + / H.264
	H.265 Codec Profile	Main Profile@Level4.1 High Tier
	Audio Compression	G711A/U
	Video Bit Rate	64Kbps ~ 6Mbps
Resolution and Frame Rate	Max. Resolution	1080P (1920 x 1080), 720P (1280 x 720), D1, VGA(640 x 480), 480x240, CIF
	Main Stream	1080P/720P (60Hz: 1~30fps; 50Hz: 1~25fps)
	Sub Stream	D1/VGA/CIF (60Hz: 1~30fps; 50Hz: 1~25fps)
	Third Stream	D1/480x 240/CIF (60Hz: 1~30fps; 50Hz: 1~25fps)
Operational Features	Wide Dynamic Range (WDR)	120dB WDR
	BLC	Supported
	ROI	Each ROI to be configured separately
	Digital NR	Supported
	HLC	Supported
	DNR	Inbuilt 3D DNR (Digital Noise Reduction) circuit
	Codec Streaming Capability	Triple streaming
	Image Settings	ROI, Saturation, Brightness, Hue, Contrast, Wide Dynamic, Sharpness, NR, Flip horizontally/vertically, etc. adjustable through client software or web browser
	Smart Alarm	Motion detection, SMD, SD card error, SD card full, IP address conflict, network disconnection, video exception
	General Function	Watermark, IP address filtering, video mask, heartbeat, system config backup, smart supplement light, corridor pattern
Security	Video encryption, firmware encryption, HTTPS encryption, configuration encryption, illegal login lock, IP address filtering, 802.1x authentication, basic and digest authentication for HTTP/RTSP	
Network & Remote Monitoring	Protocols	UDP, IPv4, IPv6, DHCP, NTP, RTSP, RTP, RTCP, RTMP, PPPoE, DDNS, SMTP, FTP, 802.1x, SNMP, UPnP, HTTP, HTTPS, HTTP POST, P2P, QoS
	System Compatibility	ONVIF
	CMS	Full function CMS (Central monitoring software)
	Mobile Client Application	Supports android and iOS APP for Smart phone and tablets
	Bandwidth Control	VBR (Automatic) and CBR (Manual) supported
	Online Connection	Support simultaneous monitoring for up to 6 users; Support multi-stream real time transmission
	Web Browser	Chrome 89.0+/Edge 89.0+/Firefox 87.0+/Safari 14.0+
	Storage	Built-in micro SD card slot, up to 256GB

TECHNICAL SPECIFICATIONS

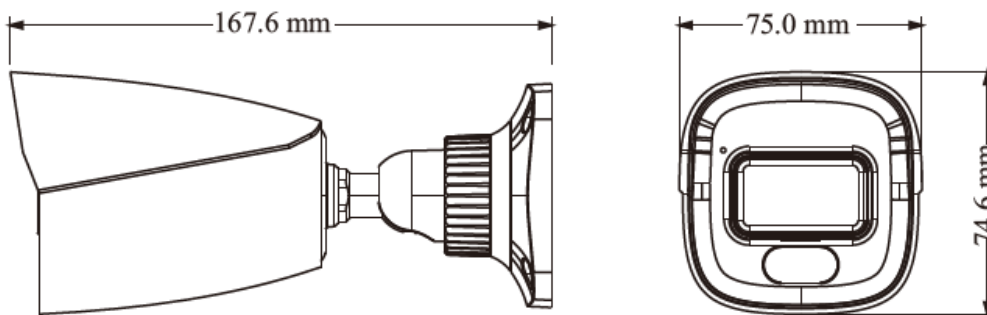
WV-NC41832B-AF3WLIRT1

Analytics Feature	Smart Features	Line crossing/region intrusion (human/vehicle classification), abandoned/missing object detection
Interface	Ethernet	1 RJ45 10/100 Ethernet port
	Audio	1CH audio input; 1CH built-in MIC
	Reset	Yes, supported
Electrical	Power Requirement	DC12V/PoE (IEEE802.3af)
	Power Consumption	Max. <6W
Environmental	Enclosure	IP67 Weather proof outdoor enclosure
	Operating Temperature	-30°C to + 60°C
	Storage Temperature	-30°C to + 65°C
	Operating Humidity	95% or less (non-condensing)
Mechanical	Color	white
	Dimensions	167.6 x 75 x 74.6mm
	Weight	Approx. 0.45KG
Certifications	Certifications	CE, FCC, RoHS

*Exact products and specifications shown may vary by geographic region and are subject to change without notice. Product image, weights and measurements are approximate and may vary due to customized solutions & products being offered as per customer requirements.

DIMENSIONS

Unit: mm



VANTAGE INTEGRATED SECURITY SOLUTIONS LIMITED

B3, Bredon House 321, Tenttenhall Road Tettenhall, Wolverhampton

West Midlands, WV6 0JZ United Kingdom

Ph:+44-1902793383, Email: sales@vantagesecurity.com

www.vantagesecurity.com

(AN ISO 9001 : 2008, ISO14001 : 2004 CERTIFIED COMPANY)

