

FULL HIGH DEFINITION 2MP IP PTZ CAMERA

VV-NC2604D-F3IRP1L3 IR Night Vision High Speed PTZ Dome Camera



FEATURES

Full High Definition 2MP (1920 x 1080) resolution

1/2.8" Progressive Scan STARVIS CMOS Sensor

30x Optical zoom

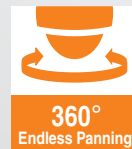
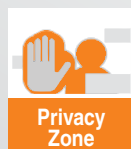
360° endless panning

Inbuilt IR LEDs for 150 mtrs IR range

Supports presets/ pattern/patrol/pan scan

SD Card Storage Supported up to 128GB

IP67 Weather proof outdoor enclosure



TECHNICAL SPECIFICATIONS

VV-NC2604D-F3IRP1L3

Camera	Image sensor	1/2.8" Progressive Scan STARVIS CMOS Sensor
	Signal System	PAL/NTSC
	Effective Pixels	1920 (H) x 1080 (V)
	Minimum Illumination	Color: 0.05Lux@(F1.6, AGC ON); B/W: 0.01Lux@(F1.6, AGC ON); 0 lux with IR
	Electronic Shutter Speed	1/1 s to 1/10,000 s (slow shutter supported)
	Signal to Noise	> 50 dB
	Gain Control	Auto / Manual
	RAM/ROM	1024MB/512MB
	Iris	Auto
Lens	Lens Type	4.5mm to 135mm Motorized
	Focus	Auto/ Semiautomatic/ Manual
	Lens Mount	Board in
	Zoom Speed	Approx. 3s (optical wide-tele)
	Angle of View	65.5° to 2.11° (wide-tele)
	Optical Zoom	30x Optical Zoom
	Aperture Range	F1.6 ~ F5.0
Compression	Video compression	H.265/ H.264+/ H.264
	H.264 codec profile	Main profile
	Video Bit Rate	32 Kbps ~ 8 Mbps
	Audio Compression	G.711ulaw/ G.711alaw/ G.726/ MP2L2/ G.722
Resolution and Frame Rate	Max. Resolution	1920 x 1080
	Main Stream	50Hz: 25fps (1920x1080, 1280x960, 1280x720) 50fps (1280x960, 1280x720) 60Hz: 30fps (1920 x 1080, 1280x960, 1280x720) 60fps (1280x960, 1280x720)
	Sub Stream	50 Hz: 25 fps (704 x 576, 640 x 480, 352 x 288); 60 Hz: 30 fps (704 x 480, 640 x 480, 352 x 240)
	Third Stream	50 Hz: 25 fps (1920 x 1080, 1280 x 960, 1280 x 720, 704 x 576, 640 x 480, 352 x 288) 60 Hz: 30 fps (1920 x 1080, 1280 x 960, 1280 x 720, 704 x 480, 640 x 480, 352 x 240)
Day/Night Functionality	Day & Night	IR Cut Filter
	IR Source	Inbuilt High performance IR LEDs
	IR On/Off Control	Auto/Manual
	IR Range	Up to 150 Mtrs
Pan-Tilt	Pan Angle	0° ~ 360° endless pan rotation
	Tilt Angle	-15° to 90°
	Pan Speed	Configurable, from 0.1°/s to 160°/s, Preset Speed: 0.1°/s to 240°/s
	Tilt Speed	Configurable, from 0.1°/s to 120°/s, Preset Speed: 0.1°/s to 200°/s
	Presets	300
	Preset Accuracy Patrol	8 patrols, up to 32 presets per patrol
	Tour Pattern	4 pattern scans, record time over 10 minutes for each scan
	Power-off Memory	Supported
	PTZ position display	Supported
	Auto Tracking	Supports human oriented tracking with speed adaption focal length
	Park Actions	Preset/patrol/pattern/pan scan/tilt scan/random scan/frame scan/panorama scan
	Scheduled Tasks	Auto scan/frame scan/random scan/patrol/pattern/preset/panorama scan/tilt scan/dome reboot/dome adjust/aux output

TECHNICAL SPECIFICATIONS

VV-NC2604D-F3IRP1L3

Operational Features	Privacy Masking	8 programmable privacy masks
	Video Tampering	Supported
	Motion Detection	Supported
	ROI	Supported
	HLC and BLC	Supported
	Defog	Supported
	WDR	WDR Supported
	Protocols	DH-SD, Pelco-P, Pelco-D (auto recognition), Multi protocol support
	Digital Zoom	16x Digital Zoom
	P2P	Enable/Disable
	DNR	Inbuilt 3D DNR (Digital Noise Reduction) circuit
	SD Card	Supports up to 128 GB microSD/SDHC/SDXC card.
	Image settings	Rotate mode, Saturation, brightness, contrast, sharpness adjustable through client software or web browser
	Alarm Trigger	Motion Detection, Video Tampering, Scence Changing, Network Disconnection, IP Address Conflict, Illegal Access, Storage Anamoly
Smart Features	Intrusion detection, Line crossing detection, Face detection	
Network & Remote Monitoring	Protocols	IPv4/IPv6, HTTP, HTTPS, 802.1X, QoS, FTP, SMTP, UPnP, SNMP, DNS, DDNS, NTP, RTSP, RTP, TCP/IP, UDP, IGMP, ICMP, DHCP, PPPoE
	System compatibility	ONVIF
	CMS	Full function CMS (Central monitoring software) User Access Professional authority management for user access
	Mobile Client Application	Supports android and iOS APP for Smart phone and tablets
Interface	Ethernet	1 RJ45 10/100 Ethernet port
	Audio In/Out	1/1
	Alarm In/Out	2/1
Electrical	Power Requirement	AC24V, PoE+ (802.3 at) (class 4)
	Surge Protection	TVS 4000V Lightning Protection, Surge Protection and Voltage Transient Protection
	Power Consumption	< 18W
	Web Browsers	IE 7+, Chrome 18+, Firefox 5.0+, Safari 5.02+
Environmental	Enclosure	IP67, TVS 4,000 V lightning protection, surge protection, and voltage transient protection
	Impact Protection	IK10
	Operating Temperature	-40°C to 50°C
	Operating Humidity	90% or less (non-condensing)
Mechanical	Color	White
	Dimensions	Φ220mm × 353.4mm
	Weight	4.5 Kg
Certifications	Certifications	UL, CE, FCC, RoHS

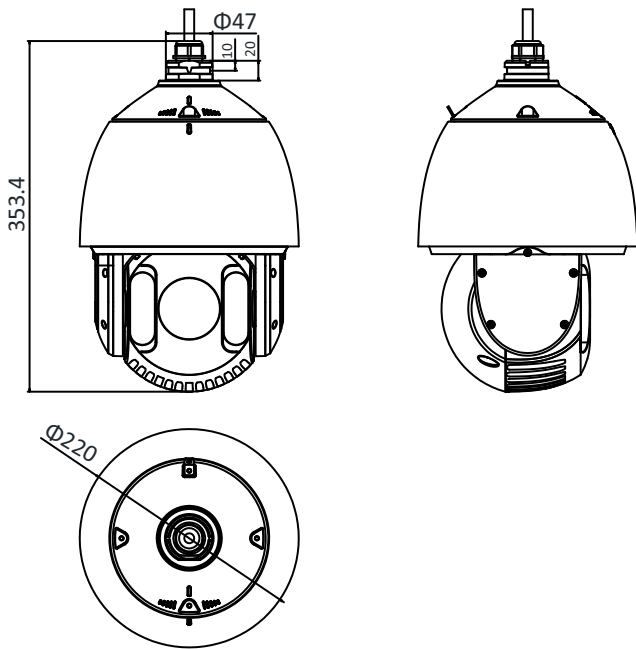
*Exact products and specifications shown may vary by geographic region and are subject to change without notice. Product Image, Weights and measurements are approximate and may vary.

TECHNICAL SPECIFICATIONS

VP-NC7230P-42IRX1

DIMENSIONS

Unit: mm



VANTAGE INTEGRATED SECURITY SOLUTIONS LIMITED

B3, Bredon House 321, Tenttenhall Road Tettenhall, Wolverhampton

West Midlands, WV6 0JZ United Kingdom

Ph: +44-1902793383, Email: sales@vantagesecurity.com

www.vantagesecurity.com

(AN ISO 9001 : 2008, ISO14001 : 2004 CERTIFIED COMPANY)

