

FULL HIGH DEFINITION 2MP IP DOME CAMERA

VV-NC1452D-VFIR2T1 IR NIGHT VISION VARIFOCAL CAMERA



FEATURES

Full HD 2MP (1920 × 1080) resolution

1/3" Progressive Scan CMOS Sensor

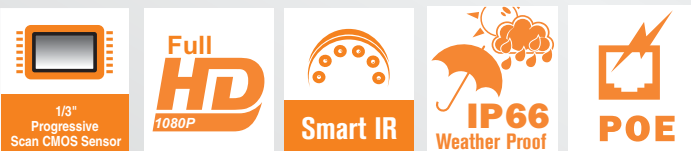
Inbuilt high intensity Smart IR LEDs with intensity control

High performance IR Cut mechanical filter for True Day & Night vision

Support Triple Streams

Support P2P

IP66 Weather proof outdoor enclosure



TECHNICAL SPECIFICATIONS

WV-NC1452D-VFIR2T1

Camera	Image sensor	1/3" Progressive Scan CMOS Sensor
	Signal System	PAL/NTSC
	Effective Pixels	1920 (H) x 1080 (V)
	Minimum Illumination	Color : 0.1 lux @F1.2,AGC ON; 0 lux with IR
	Electronic Shutter Speed	1 / 25 s ~ 1 / 100000 s
	Gain Control	Auto
	White Balance	Auto
	Signal to Noise	> 52 dB
	Auto Iris	DC Drive
Lens	Lens Type	2.8 ~ 12 mm @F1.4, angle of view : 96° ~ 35°
	Lens Mount	Φ14
	Focus	Manual Adjustment
	Zoom	Manual Optical Zoom Adjustment
Day/Night Functionality	Day & Night	True Day & Night with ICR
	IR Cut	High performance Mechanical IR Cut Filter with auto switch
	IR Source	Inbuilt high intensity Smart IR LEDs with intensity control
	IR Range	30 Mtr.
Compression	Video compression	H.264 / MJPEG
	H.264 codec profile	Main profile
	Video Bit Rate	128 Kbps ~ 6 Mbps
Resolution and Frame Rate	Max. Resolution	1920 x 1080
	Frame rate	50Hz: 25fps (1920 x1080), 25fps (1280 x 720), 25fps (704 x 576), 25fps (352 x 288) 60Hz: 30fps (1920 x1080), 30fps (1280 x 720), 30 fps (704 x 576), 30 fps (352 x 288)
Operational Features	Wide Dynamic Range (WDR)	Digital WDR
	Backlight compensation	Yes, zone configurable
	DNR	Inbuilt 3D DNR (Digital Noise Reduction) circuit
	Codec streaming capability	Triple streaming
	Image settings	ROI, Saturation, Brightness, Chroma, Contrast, Wide Dynamic, Sharpen, NR,etc. adjustable through client software or web browser
	Security	User Authentication
	Alarm trigger	Motion Detection
Network & Remote Monitoring	Protocols	TCP / IP, UDP, DHCP, NTP, RTSP, PPPoE, DDNS,SMTP, FTP
	System compatibility	ONVIF
	CMS	Full function CMS (Central monitoring software)
	Mobile Client Application	Supports android and iOS APP for Smart phone and tablets
	Bandwidth control	VBR (Automatic) and CBR (Manual) supported
	Network Storage	NAS
Interface	Ethernet	1 RJ45 10/100/1000 Ethernet port
	Power Input	Standard DC Jack
Electrical	Power Requirement	12 VDC ± 10% , PoE (802.3af)
	Power Consumption	< 5W

TECHNICAL SPECIFICATIONS

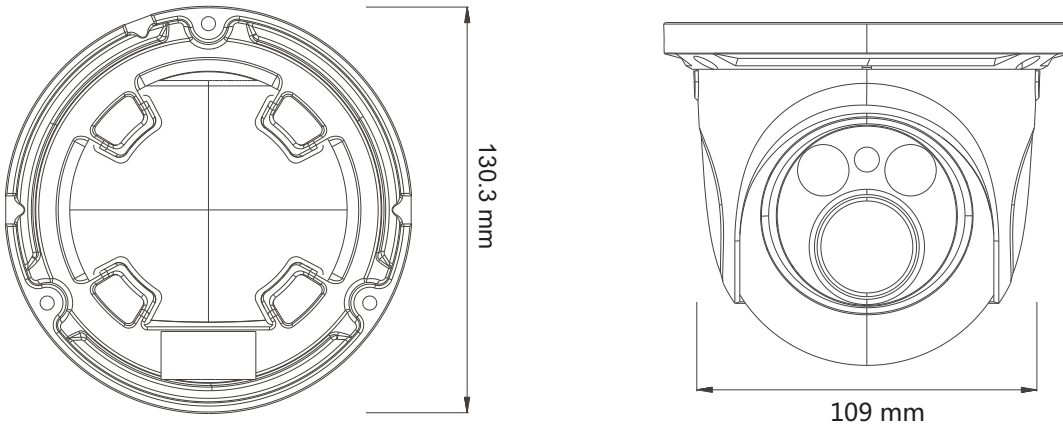
WV-NC1452D-VFIR2T1

Environmental	Enclosure	Eye Ball Metal Dome Enclosure
	Operating Temperature	-20°C to + 50°C
	Operating Humidity	90% or less (non-condensing)
Mechanical	Color	White
	Dimensions	130.3 x 109 mm
	Weight	695g
Certification	Certification	CE, FCC, RoHS

*Exact products and specifications shown may vary by geographic region and are subject to change without notice. Weights and measurements are approximate and may vary.

DIMENSIONS

Unit: mm



VANTAGE INTEGRATED SECURITY SOLUTIONS LIMITED

B3, Bredon House 321, Tenttenhall Road Tettenhall, Wolverhampton

West Midlands, WV6 0JZ United Kingdom

Ph: +44-1902793383, Email: sales@vantagesecurity.com

www.vantagesecurity.com

(AN ISO 9001 : 2008, ISO14001 : 2004 CERTIFIED COMPANY)

