

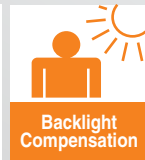
# HIGH DEFINITION 2MP IP DOME CAMERA

# VV-NC11242D-F3IR1A9 IR NIGHT VISION FIXED CAMERA



## FEATURES

- 2 Megapixel Full HD 1080p resolution
- 1/2.8" Progressive Scan Sensor
- Inbuilt Smart IR LEDs with intensity control
- High performance IR Cut mechanical filter for True Day & Night vision
- Inbuilt 3D DNR & BLC functions
- Support dual streams
- Onvif supported
- IP66 Weatherproof enclosure



## TECHNICAL SPECIFICATIONS

# WV-NC11242D-F3IR1A9

Camera	Image sensor	1/2.8" Progressive Scan Sensor
	Signal System	PAL/NTSC
	Effective Pixels	1920 (H) × 1080 (V)
	Minimum Illumination	Color : 0.1Lux @ F1.2, B&W: 0 Lux at IR on
	Electronic Shutter Speed	1/25s (1/30s) ~ 1/100,000s
	Gain Control	Auto
	Signal to Noise	> 50 dB
Lens	Lens Type	3.6mm Fixed Lens (4/6/8mm optional)
	Lens Mount	M12
Day/Night Functionality	Day & Night	True Day & Night with ICR
	IR Cut	High performance Mechanical IR Cut Filter with auto switch
	IR Source	Inbuilt Smart IR LEDs with intensity control
	IR Range	Up to 30 Mtr.
Compression	Video compression	H.264 / H.265
	H.264 codec profile	Main profile
	Video Bit Rate	32 Kbps ~ 16 Mbps
Resolution and Frame Rate	Max. Resolution	1920 × 1080
	Main Stream	50Hz: 20fps (1920 × 1080), 20fps (1280 × 720), 25fps (704 × 576) 60Hz: 30fps (1920 × 1080), 30fps (1280 × 720), 30fps (704 × 576)
	Sub Stream	50Hz: 20fps (1920 × 576), 20fps (640 × 480) 60Hz: 30fps (1920 × 576), 20fps (640 × 480)
Operational Features	Privacy masking	Supported
	Backlight compensation	Supported
	DNR	Inbuilt 3D DNR (Digital Noise Reduction) circuit
	Codec streaming capability	Dual streaming
	Image settings	Saturation, Brightness, Chroma, Contrast, White Balance Sharpen, Mirror, FLK( Flicker control) etc. Adjustable through client software or web browser
	Security	User Authentication
	WDR	DWDR
	Motion Detection	Supported
	Alarm trigger	Manual, automatic (cycle, timing, alarm switch, motion detection)
Network & Remote Monitoring	Protocols	TCP/IP,UDP,HTTP,DHCP,DDNS,RTP,RTSP,RTCP,NTP,PPPOE,UPNP.SMTP
	System compatibility	ONVIF
	CMS	Full function CMS ( Central monitoring software)
	Mobile Client Application	Supports android and iOS APP for Smart phone and tablets
	Bandwidth control	VBR (Automatic) and CBR (Manual) supported
	Network storage	NVR/CMS
Interface	Ethernet	1 RJ45 10/100 Ethernet port
	Power Input	Standard DC Jack
Electrical	Power Requirement	12 VDC ± 10% , PoE (802.3af)
	Power Consumption	Max. 10W
Environmental	Enclosure	IP66 Weatherproof enclosure
	Operating Temperature	-20°C to + 55°C

## TECHNICAL SPECIFICATIONS

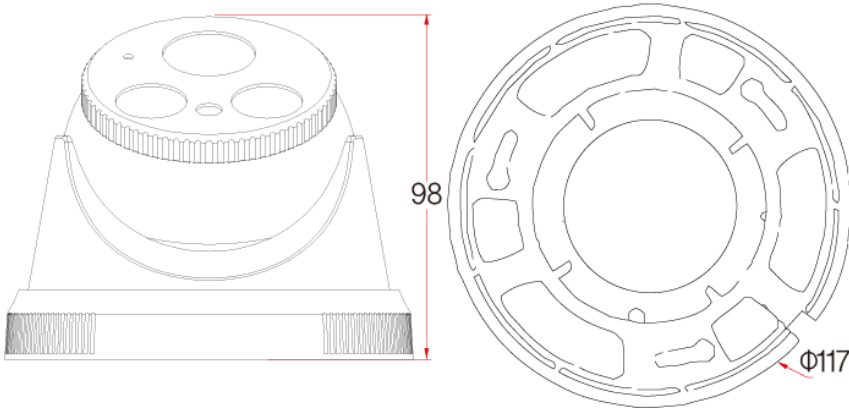
# WV-NC11242D-F3IR1A9

Mechanical	Color	White
	Dimension	98(H) x 117(D)mm
	Weight	229g
Certification	Certification	CE, FCC, RoHS

\*Exact products and specifications shown may vary by geographic region and are subject to change without notice. Weights and measurements are approximate and may vary.

## DIMENSIONS

Unit: mm



## VANTAGE INTEGRATED SECURITY SOLUTIONS LIMITED

B3, Bredon House 321, Tenttenhall Road Tettenhall, Wolverhampton

West Midlands, WV6 0JZ United Kingdom

Ph: +44-1902793383, Email: sales@vantagesecurity.com

[www.vantagesecurity.com](http://www.vantagesecurity.com)

(AN ISO 9001 : 2008, ISO14001 : 2004 CERTIFIED COMPANY)

