

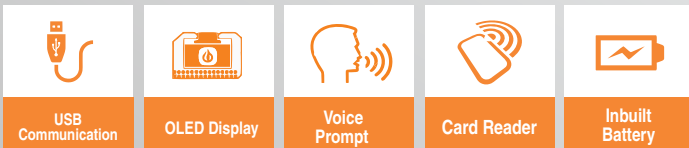
GUARD MONITORING SYSTEM

VV-GM500FP-CJ2 BIOMETRIC GUARD MONITORING SYSTEM



FEATURES

- Stores 200 fingerprint templates
- Fingerprint authentication to prevent 'buddy punching'
- Less than 1 second user recognition
- Stores 60,000 transactions
- USB port for manual data transfers
- IP65 rated
- Inbuilt rechargeable battery
- Integrated 125 KHz reader
- Supports pedometer, voice prompt, flash light, Impact detection



TECHNICAL SPECIFICATIONS

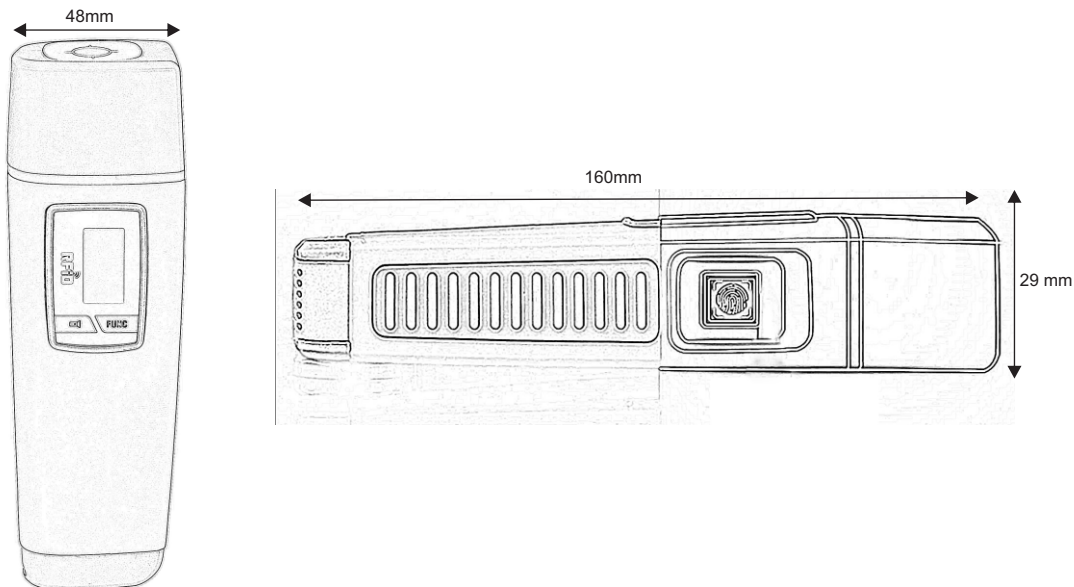
VV-GM500FP-CJ2

Parameter	Specifications
Fingerprint Capacity	200 templates
Transaction Capacity	60,000 transactions
Sensor	Infrared Auto-sleep Optical Sensor
Built-in Card Reader	125kHz RFID proximity reader
Communication	USB 2.0
Protection Rating	IP65
Optional Functions	Supports Bluetooth Card
Power	3.7 V Inbuilt Rechargeable Battery
Operating Temperature	-20°C to +60°C
Operating Humidity	20% - 80%
Dimension	160(L) X 29(W) X 48(D)mm
Certifications	CE, FCC, ROHS

*Exact products and specifications shown may vary by geographic region and are subject to change without notice. Weights and measurements are approximate and may vary.

DIMENSIONS

Unit: mm



VANTAGE INTEGRATED SECURITY SOLUTIONS LIMITED.

B3, Bredon House 321, Tenttenhall Road Tettenhall, Wolverhampton
West Midlands, WV6 0JZ United Kingdom

Ph:+44-1902-793383, Email: sales@vantagesecurity.com

www.vantagesecurity.com

(AN ISO 9001 : 2008, ISO 14001 : 2004 CERTIFIED COMPANY)

