

NETWORK CAMERAS

INDOOR VEHICLE CAMERA

VV-DC880D-W4GT6

VEHICLE DASH CAM



FEATURES

Integrated advanced driver assistance system (ADAS) & driver status monitoring (DSM) for intelligent driver assistance and safety monitoring

Full HD 1080P Recording with H.264/H.265 compression for high-quality video and efficient storage.

Triple camera support with built-in ADAS & DSM cameras plus 1 external AHD camera input

Supports up to 1TB TF card for extended local video storage

G-Sensor & Emergency Alarm Button for automatic event recording and instant emergency alerts

Remote Video Upload & Fleet Management through centralized monitoring software

Built-in 4G, Wi-Fi & GPS for real-time connectivity, remote monitoring, and accurate vehicle tracking

Advanced ADAS Alerts including Forward Collision, Lane Departure, Safe Distance, Pedestrian Detection, and Solid Line Lane Change warnings



Fatigue & Distraction
Detection



Pedestrian
Detection



Lane Departure
Warning



Forward Collision
Warning



Emergency
SOS Button

TECHNICAL SPECIFICATIONS

VV-DC880D-W4GT6

System	Operating System	Embedded Linux operating system
	Operation Interface	Mobile phone WIFI connection
	System Permissions	Password controlled
Video	Video Input	1CH built-in camera (DSM), 1CH built-in camera (ADAS), 1CH external AHD camera input (1.0Vp-p, 75Ω)
	Video Standard	PAL : 25 frames/s:NTSC:30 frames/s
	System Resources	PAL : 100 Frames ; NTSC : 120 Frames
Audio	Audio Input	Built-in MIC
	Audio Output	Built-in 8Ω, 1W
	Recording Mode	Sound And DSM Image Synchronization
	Audio Compression	G711A
Digital Processing & Storage	Image Compression	H.264/ H.265
	Image Format	PAL:4x1080P (1920x1080) NTSC:4x1080P (1920x1080)
	Image Quality	1-8 level adjustable
	Video Bit Rate	192K-4.0M bps (Each CH)
	Video Storage Space Occupation	1080P:85M-1.8GByte/hour
	Playback Resolution	PAL:1x1080P (1920x1080) NTSC:1x1080P (1920x1080)
	Audio Bit Rate	4K bps (Each CH)
	Audio Storage Space Occupation	14MByte/hour (Each CH)
	TF Card Storage	1xTF card slot, maximum supports 1TB
IO Interface	IO Input	2CH High-level Input, connected to vehicle left, right turn signal lines
	One-Key Alarm Function	Built-in Alarm Button
Network	WIFI Network	Built-in WiFi module (IEEE802.11N/B/G) Supports WIFI hotspot
	4G Network	Built-in FDD-LTE/ TD-LTE module, Supports 4G wireless network communication
Satellite Positioning	GPS/BD	Built-in GPS/BD antenna for satellite positioning, Positioning accuracy <10m
Extend Interface	RS-232 Port	Supports 1xRS232, convenient to connect with other vehicle equipment
	SIM Card Slot	Nano SIM card, Size: 12mm x 9mm
Sensor	G-Sensor	Built-in 3-axis sensor for gravity sensing detection
General	Power	DC9-36V
	Power Consumption	≤8W
	Operating Temperature	-30°C~ + 70°C
	Working Humidity	80% or less (non condensing)
	Clock	Built-in Hard Clock
	Dimensions	131 x 68.3 x 37.2mm
	Weight	0.35Kg/Unit
Certifications	Certifications	CE, FCC, RoHS

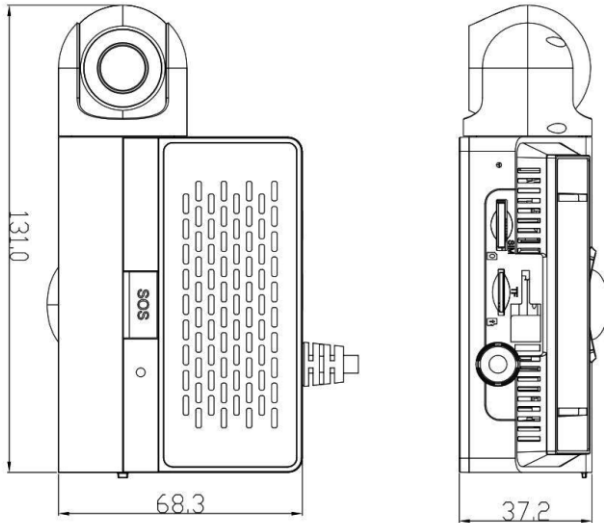
*Exact products and specifications shown may vary by geographic region and are subject to change without notice. Product image, weights and measurements are approximate and may vary due to customized solutions & products being offered as per customer requirements.

TECHNICAL SPECIFICATIONS

VV-DC880D-W4GT6

DIMENSIONS:

Unit: mm



REAR PRODUCT VIEW:



VANTAGE INTEGRATED SECURITY SOLUTIONS LIMITED

B3, Bredon House 321, Tenttenhall Road Tettenhall, Wolverhampton
West Midlands, WV6 0JZ United Kingdom

Ph: +44-1902793383, Email: sales@vantagesecurity.com

www.vantagesecurity.com

(AN ISO 9001 : 2008, ISO14001 : 2004 CERTIFIED COMPANY)

