

FULL HIGH DEFINITION 2MP AHD BULLET CAMERA

VV-AC82103B-3PIRB1 IR Night Vision Motorized Camera



FEATURES

Full High Definition 2MP (1920 x 1080) resolution

1/3" Progressive Scan Sensor

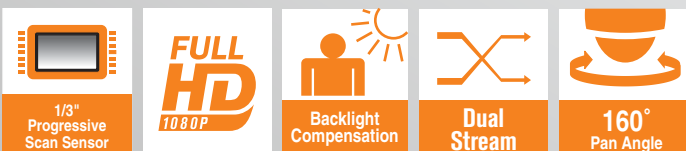
10x Optical zoom

160° pan angle supported

Inbuilt IR LEDs for 40 mtrs IR range

Supports presets/patrol/pan scan

Inbuilt DWDR, 3D DNR & BLC



TECHNICAL SPECIFICATIONS

VV-AC82103B-3PIRB1

Camera	Image sensor	1/3" Progressive Scan Sensor
	Signal System	PAL/NTSC
	Effective Pixels	1920 (H) x 1080 (V)
	Minimum Illumination	Color: 0.01Lux@(F1.4, AGC ON); B/W: 0.0015Lux@(F1.4, AGC ON); 0 Lux with IR
	Electronic Shutter Speed	1/1- 1/10,000s
	Signal to Noise	> 62 dB
	Gain Control	Auto / Manual
	White Balance	Auto/Manual/ATW/Indoor/Outdoor/Daylight lamp/Sodium lamp
	Auto Iris	Auto / Manual
Lens	Lens Type	5.1- 51mm, 10x optical
	Angle of View	47-5.3 degree (Wide-Tele)
	Focus	Auto Focus
	Zoom	10x Optical Zoom
	Zoom Speed	Approx.1s (Optical Wide-Tele)
	Aperture Range	F1.4 ~ F3.5
Compression	Video compression	H.264 / MJPEG
	H.264 codec profile	Main profile
	Video Bit Rate	32 Kbps ~ 16 Mbps
Resolution and Frame Rate	Max. Resolution	1920 x 1080
	Frame rate	50Hz: 25 fps (1920x1080), 25 fps (1280x720); 60Hz: 30 fps (1920x1080), 30 fps (1280x720)
Day/Night Functionality	Day & Night	True Day & Night with ICR
	IR Cut	High performance Mechanical IR Cut Filter with auto switch
	IR Source	Inbuilt High performance IR LEDs
	IR Range	Up to 40 Mtrs
	IR Irradiation Angle	Automatically adjusted, depending on the zoom ratio
	IR Life	40000 operation hours
Pan-Tilt	Pan Angle	160°
	Pan Speed	0.1° ~ 45°/s
	Presets	220
	Preset Accuracy	± 0.1°
	Patrol	3 patrols, up to 16 presets per patrol
	Tour Pattern	4 Tour patterns
	Power-off Memory	Supported
	PTZ position display	Supported
Operational Features	OSD Menu	Supported
	Camera ID	On/Off
	Privacy Masking	Yes multiple zone supported
	Digital Zoom	16X
	Motion Detection	Supported
	Backlight Compensation	Supported
	Video Adjustment	Supported
	WDR	Supported
	Protocols	PELCO-P, PELCO-D, Multi protocol support
	Baud Rate	2400/4800/9600bps
DNR	Inbuilt 3D DNR (Digital Noise Reduction) circuit	

TECHNICAL SPECIFICATIONS

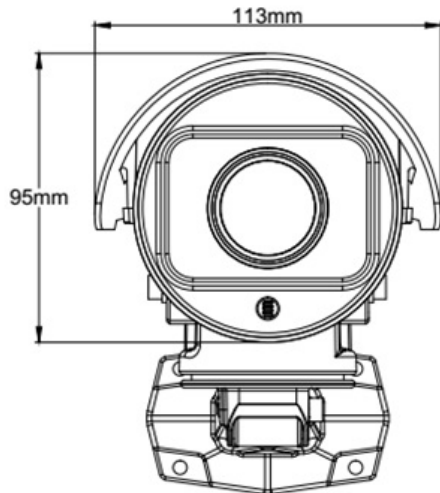
VV-AC82103B-3PIRB1

Interface	Video Output	1 xBNC AHD Video Output
	Power Input	Standard DC Jack
	Communication mode	RS-485
Electrical	Power Requirement ($\pm 10\%$)	12VDC/2A
	Power Consumption	MAX. 15W
Environmental	Enclosure	IP66 weather proof outdoor Enclosure
	Mounting bracket	External Mounting bracket included
	Operating Temperature	-40°C to +65°C
	Operating Humidity	95% or less (non-condensing)
Mechanical	Color	White
	Dimension	113x95mm
Certification	Certifications	CE, FCC, RoHS

*Exact products and specifications shown may vary by geographic region and are subject to change without notice. Weights and measurements are approximate and may vary.

DIMENSIONS

Unit: mm



VANTAGE INTEGRATED SECURITY SOLUTIONS LIMITED

B3, Bredon House 321, Tenttenhall Road Tettenhall, Wolverhampton

West Midlands, WV6 0JZ United Kingdom

Ph: +44-1902793383, Email: sales@vantagesecurity.com

www.vantagesecurity.com

(AN ISO 9001 : 2008, ISO14001 : 2004 CERTIFIED COMPANY)

