

HIGH DEFINITION

5MP ANALOG DOME CAMERA

VV-AC5M66PD-M11F3WLT1

IR NIGHT VISION FIXED CAMERA



FEATURES

5 Megapixel HD resolution (2560x1936 pixels)

1/2.5" Progressive Scan CMOS sensor

AHD/TVI/CVI camera supported

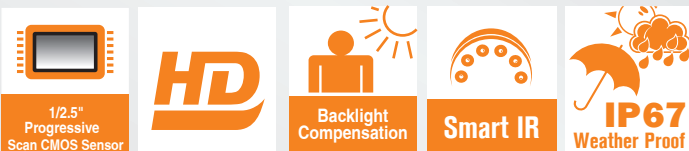
Inbuilt IR LEDS for 30 mtr IR range

High performance IR Cut mechanical filter for True Day & night vision

Up to 1500 TVL resolution

High speed, long distance and real time transmission

IP67 Weather proof enclosure



TECHNICAL SPECIFICATIONS

VV-AC5M66PD-M11F3WLT1

Camera	Image sensor	1/2.5" Progressive Scan CMOS Sensor
	Signal System	PAL/NTSC
	Effective Pixels	2560 (H) x 1936 (V)
	Frequency	PAL / NTSC
	Image Resolution	5 Megapixel
	Minimum Illumination	0 Lux at IR on
	Signal to Noise	≥52dB
	Shutter Time	Auto; 1/50s~1/00000s(P); 1/60s~1/100000s(N)
	Gain Control	Auto
	White Balance	Auto / Manual
	Angle Adjustment	Pan: 0°~360°; Tilt: 0°~75°; Rotation: 0°~360°
Lens	Lens Type	3.6 lens
	Lens Mount	M12
Day/Night Functionality	Day & Night	True Day & Night with ICR
	IR Cut	High performance Mechanical IR Cut Filter with auto switch
	IR Source	High performance IR LEDs with intensity control
	IR Range	Up to 30 Mtrs
Operational Features	Wide Dynamic Range	Digital WDR
	Smart LED	Manual or Auto mode
	Frame Rate	5MP@20fps/4MP@30fps
	OSD Menu	Supported
	Digital DNR	Supported 2D DNR
	Global Exposure	Supported
	Central Exposure	Supported
	BLC	Supported
	HLC	Supported
	Image Setting	Supported Contrast, Sharpness
Defect Correction	Auto	
Interface	Video Output	AHD / TVI /CVI Video output
	Power Input	Standard DC Jack
	Audio	1CH built-in MIC
Electrical	Power Requirement	DC 12V (± 10%)
	Power Consumption	<3 W with IR on
Environmental	Protection Grade	IP67
	Operating Temperature	-30°C to + 50°C
	Operating Humidity	90% or less (non-condensing)
Mechanical	Color	White
	Dimensions	Φ 94.8 x 82.8
	Weight	Approx. 0.39KG
Certification	Certification	CE, FCC, RoHS

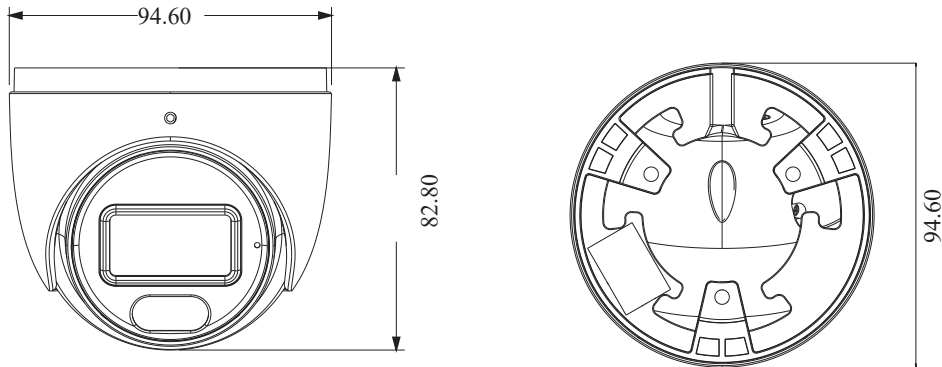
*Exact products and specifications shown may vary by geographic region and are subject to change without notice. Weights and measurements are approximate and may vary.

TECHNICAL SPECIFICATIONS

VV-AC5M66PD-M11F3WLT1

DIMENSIONS

Unit: mm



VANTAGE INTEGRATED SECURITY SOLUTIONS LIMITED

B3, Bredon House 321, Tenttenhall Road Tettenhall, Wolverhampton

West Midlands, WV6 0JZ United Kingdom

Ph:+44-1902793383, Email: sales@vantagesecurity.com

www.vantagesecurity.com

(AN ISO 9001 : 2008, ISO14001 : 2004 CERTIFIED COMPANY)

