

HIGH DEFINITION 2MP FIXED BULLET CAMERA

VV-AC2M81B-M11Z1X1 2MP IR Night Vision HD Camera



FEATURES

- High Definition 2MP (1920 x 1080) resolution
- Smart IR, up to 70 m IR distance
- 2.7 mm to 13.5 mm motorized varifocal lens
- Ultra low light
- OSD menu, 3D DNR, 120 dB true WDR, day/night switch
- 4 in 1 video output (switchable TVI/AHD/CVI/CVBS)
- IP67 Weather proof outdoor enclosure



TECHNICAL SPECIFICATIONS

WV-AC2M81B-M11Z1X1

Camera	Image sensor	2.0 megapixel progressive scan CMOS
	Signal System	PAL/NTSC
	Effective Pixels	1920 (H) × 1080 (V)
	Minimum Illumination	Color : 0.005 Lux @ (F1.2, AGC ON), 0 Lux at IR on
	Electronic Shutter Speed	PAL: 1/25 s to 1/50, 000 s, NTSC: 1/30 s to 1/50, 000 s
	Gain Control	High/Medium/Low
	Synchronization	Internal synchronization
	Signal to Noise	> 52 dB
Lens	Lens Type	2.7 mm to 13.5 mm
	Lens mount	Φ 14
	Horizontal Field of View	102° to 31°
	Angle Adjustment	Pan: 0° to 360°, Tilt: 0° to 90°, Rotation: 0° to 360°
Day/Night Functionality	Day & Night	True Day & Night with ICR
	D/N Mode	Auto/Color/BW (Black and White)
	IR Range	Up to 70 Mtr
Resolution and Frame Rate	Max. Resolution	1920× 1080
	Frame rate	PAL: 1080p@25fps NTSC: 1080p@30fps
Operational Features	Wide Dynamic Range	120dB
	Backlight compensation	Supported
	3D DNR	Level 1 to 9
	Synchronization	Internal synchronization
	Image Mode	STD/HIGH-SAT
	HLC	Supported
	Image settings	Brightness, Sharpness, 3D DNR, Mirror, Smart IR
Interface	Video Output	1 HD analog output
	Switch Button	TVI/AHD/CVI/CVBS
Electrical	Power Requirement	12 VDC ± 25%
	Power Consumption	Max.7.7W
Environmental	Enclosure	IP 67 Weather proof outdoor enclosure
	Operating Temperature	-40°C to + 60°C
	Operating Humidity	95% or less (non-condensing)
Mechanical	Color	White
	Dimensions	84.5 mm × 92 mm × 255.1 mm
	Weight	Approx. 648 g
Certifications	Certifications	CE, FCC, RoHS

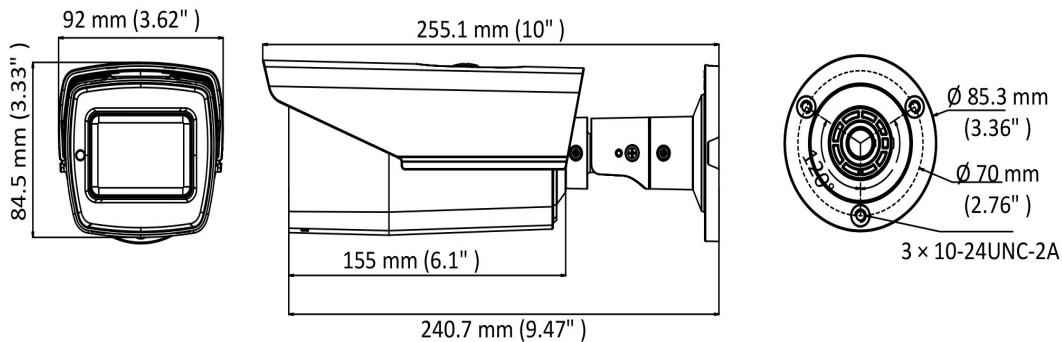
TECHNICAL SPECIFICATIONS

WV-AC2M81B-M11Z1X1

*Exact products and specifications shown may vary by geographic region and are subject to change without notice. Product image, weights and measurements are approximate and may vary.

DIMENSIONS

Unit: mm



VANTAGE INTEGRATED SECURITY SOLUTIONS LIMITED

B3, Bredon House 321, Tenttenhall Road Tettenhall, Wolverhampton

West Midlands, WV6 0JZ United Kingdom

Ph: +44-1902793383, Email: sales@vantagesecurity.com

www.vantagesecurity.com

(AN ISO 9001 : 2008, ISO14001 : 2004 CERTIFIED COMPANY)

