

# FULL HIGH DEFINITION HIGH SPEED PTZ DOME CAMERA

## VV-AC2M37P-3S35IRB1

2MP, 37X ARRAY IR NIGHT VISION OUTDOOR PTZ CAMERA



### FEATURES

2 Megapixel Full HD 1080p Resolution

1/3" Sony Exmor Progressive Scan Sensor

Powerful 37x Optical zoom

360° endless panning

Inbuilt Array IR up to 150 mtrs IR range

Inbuilt 3D DNR & BLC functions

Supports presets/pattern/patrol/pan scan

IP66 Weather proof Outdoor Enclosure with Double Layer Metal Body Construction



## TECHNICAL SPECIFICATIONS

### WV-AC2M37P-3S35IRB1

Camera	Image sensor	1/3" Sony Exmor Progressive Scan Sensor
	Signal System	PAL/NTSC
	Effective Pixels	1920 (H) × 1080(V)
	Frequency	50 Hz (PAL) / 60 Hz (NTSC)
	Horizontal Resolution	2 Megapixel
	Minimum Illumination	Color : 0.01Lux @ F1.2, B&W: 0.0015 lux @ F1.4, 0 Lux at IR on
	Signal to Noise	> 62 dB
	Gain Control	Auto / Manual / Off
	White Balance	Auto/ Manual / Indoor/ Outdoor
	DNR	Inbuilt 3D DNR (Digital Noise Reduction) circuit
	Auto Iris	Auto/ Manual
	Gamma Correction	0.45
Sync System	Internal	
Lens	Lens Type	4.6 to 117.2mm (37x Optical Zoom)
	Angle of View	H 51.85°(W) ~ 2.89°(T) ; V39.31°(W) ~ 2.19°(T)
	Focus	Auto Focus/ Manual Focus
	Zoom	37x Optical Zoom
	Zoom Speed	Approx 3s (Optical Wide-Tele)
Day/Night Functionality	Day & Night	True Day & Night with ICR
	IR Cut	High performance Mechanical IR Cut Filter with auto switch
	IR Source	Inbuilt high performance High Power Array IR LEDs
	IR Range	Up to 150 Mtrs
	IR irradiation angle	Automatically adjusted, depending on the zoom ratio
IR Life	40000 operation hours	
Pan-Tilt	Pan Angle	360° endless pan rotation
	Tilt Angle	0° to 93° (Auto Flip)
	Pan Speed	0.02° ~ 120°/s
	Tilt Speed	0.1° ~ 60°/s
	Presets	220
	Preset Accuracy	±0.1°
	Patrol	3 Patrols, up to 16 presets per patrol
	Tour Pattern	4 Tour patterns
	Power-off Memory	Supported
	PTZ position display	Supported
Operational Features	OSD Menu	Supported
	Camera ID	On/Off
	Motion Detection	Supported, 8 zone configuration
	BLC	Auto
	Video Adjustment	Supported
	WDR	D-WDR
	Electronic Shutter Speed	1/50 ~ 1/10000s
	Protocols	PELCO-P, PELCO-D, Multi protocol support
Baud Rate	2400/4800/9600bps	
Interface	Power Input	Standard DC Jack / 2Pin Wired Terminal
	Data Communication	RS-485
	Video Output	1 BNC AHD Video Output
Electrical	Power Requirement (± 10%)	DC 12V (± 10%)
	Power Consumption	Max 30 W with IR on

## TECHNICAL SPECIFICATIONS

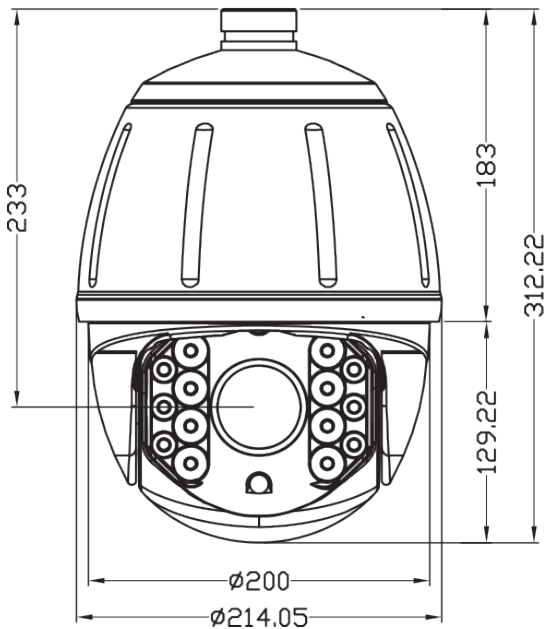
### WV-AC2M37P-3S35IRB1

Environmental	Enclosure	IP 66 Weather proof outdoor enclosure
	Protection	TVS 4,000V lightning protection, surge protection and voltage transient protection
	Mounting bracket	External Mounting bracket included
	Operating Temperature	-40°C to +65°C
	Operating Humidity	95% or less (non-condensing)
Mechanical	Color	White
	Dimension	200x312.22mm
Certifications	Certifications	CE, FCC, RoHS

\*Exact products and specifications shown may vary by geographic region and are subject to change without notice. Weights and measurements are approximate and may vary.

## DIMENSIONS

Unit: mm



## VANTAGE INTEGRATED SECURITY SOLUTIONS LIMITED

B3, Bredon House 321, Tenttenhall Road Tettenhall, Wolverhampton

West Midlands, WV6 0JZ United Kingdom

Ph: +44-1902793383, Email: sales@vantagesecurity.com

[www.vantagesecurity.com](http://www.vantagesecurity.com)

(AN ISO 9001 : 2008, ISO14001 : 2004 CERTIFIED COMPANY)

