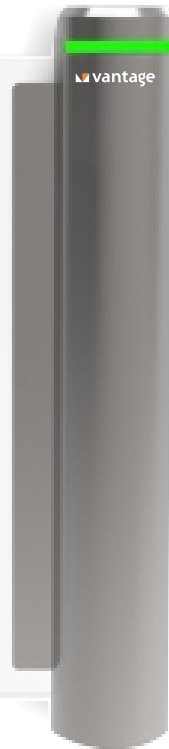


PEOPLE ENTRANCE MANAGEMENT SYSTEM

VP-PM4220-SGT3 SWING GATE BARRIER



FEATURES

Easy to operate tempered glass swing gate barrier

Selectable operating modes- single direction, bi-direction, always free or always locked

IP44 Ingress Protection Rating

Automatic reset of barrier gate after each passage

LED indicators optional

Adjustable time out delay

Integration support with any RFID/Biometric Reader through NO input

Top quality AISI 304 grade SS construction

INGRESS
PROTECTION
RATING

IP44



100%
Duty Cycle



Delay Time



Wired
Terminal

TECHNICAL SPECIFICATIONS

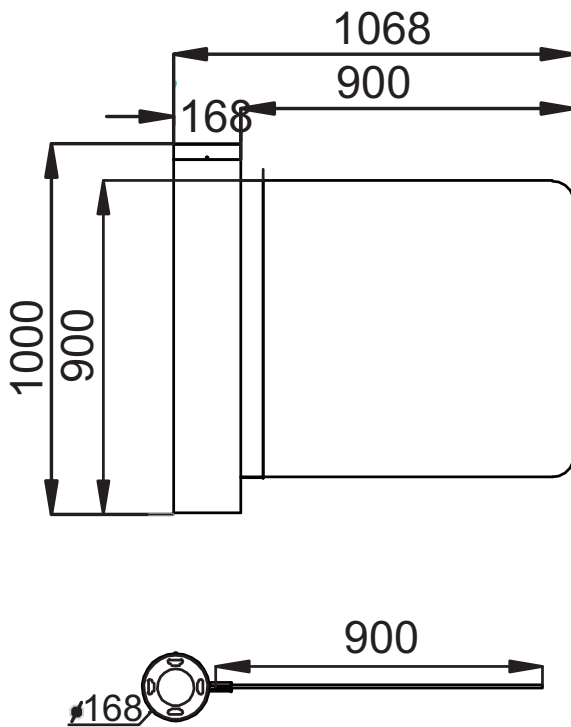
VP-PM4220-SGT3

Parameter	Specifications
Drive Unit	Brushless Servo motor
Passage Width	900mm
Throughput Rate	35 person /min
Power Supply	100~240 V
Motor Voltage	Dc24 V
Max Power Consumption	35W
Frequency	50~60 Hz
Communication Interface	RS485/12V dry contact
Protection level	IP44
Working Temperature	-25 °C~ +70 °C
Electro-Magnetic Drive	DC
Dimension	168x1000mm
Net Weight	40 kg
Certifications	CE, FCC, ROHS

*Exact products and specifications shown may vary by geographic region and are subject to change without notice. Weights and measurements are approximate and may vary.

DIMENSIONS

Unit: mm



VANTAGE INTEGRATED SECURITY SOLUTIONS LIMITED.

B3, Bredon House 321, Tenttenhall Road Tettenhall, Wolverhampton

West Midlands, WV6 0JZ United Kingdom

Ph: +44-1902-793383, Email: sales@vantagesecurity.com

www.vantagesecurity.com

(AN ISO 9001 : 2008, ISO 14001 : 2004 CERTIFIED COMPANY)

