

FULL HIGH DEFINITION 4MP IP STARLIGHT PTZ CAMERA

VP-NC9804P-AZ32IR7T1 IR Night Vision High Speed PTZ Dome Camera



FEATURES

Full High Definition 4MP (2560×1440) resolution

1/1.8" Progressive Scan CMOS Sensor

Inbuilt 120dB WDR, 3D DNR, HLC, BLC & Defog functions

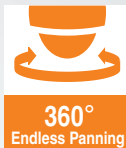
Support H.265/H.264 video compression

32x optical zoom, 16x digital zoom

360° endless panning

Inbuilt up to 200 mtrs IR range

IP67 Weather proof outdoor enclosure



TECHNICAL SPECIFICATIONS

VP-NC9804P-AZ32IR7T1

Camera	Image sensor	1/1.8" Progressive Scan CMOS Sensor
	Signal System	PAL/NTSC
	Effective Pixels	2560 (H) × 1440 (V)
	Minimum Illumination	Color:0.005Lux @ (F1.5,AGC ON); B/W:0.001Lux @(F1.5,AGC ON); 0 Lux with IR
	Electronic Shutter Speed	50Hz: 1/25 s~1/25,000, 60Hz: 1/30s - 1/30,000 s
	Signal to Noise	> 52 dB
	Gain Control	Auto / Manual
	White Balance	Auto/Manual//Indoor/Outdoor
Lens	Lens Type	5.6mm to 179.2mm
	Field of View	Horizontal:59.8° to 2.3°(wide-tele), Vertical: 33.6° to 1.3°(wide-tele) Diagonal: 68.6° to 2.6°(wide-tele)
	Zoom	32x Optical Zoom
	Zoom Speed	Approx. 4.2s (optical zoom, wide-tele)
	Aperture Range	F1.55 ~ F3.4 (wide-tele)
Compression	Video Compression	H.265/H.264/MJPEG
	H.265 Codec Profile	Main profile
	Audio Compression	G.711 A/U
Resolution and Frame Rate	Max. Resolution	2560x1440
	Main Stream	50Hz: 25fps: 2560x1440,2048x1536,1920x1080,1280x960,1280x720 60Hz: 30fps: 2560x1440,2048x1536,1920x1080,1280x960,1280x720
	Sub Stream	50Hz: 25fps: (704 × 576, 640 × 480, 352 × 288) 60Hz: 30fps (704 × 480, 640 × 480, 352 × 240)
	Third Stream	50 Hz: 25 fps (1920x1080,1280x960,1280x720,704x576,640x480, 352x288) 60 Hz: 30 fps (1920x1080,1280x960,1280x720, 704x480,640x 480, 352x240)
Day/Night Functionality	Day & Night	True Day & Night with ICR
	IR Cut	High performance Mechanical IR Cut Filter with auto switch
	IR Source	Inbuilt High performance IR LEDs
	IR Range	Up to 200 Mtrs
Pan-Tilt	Pan Angle	360° endless pan rotation
	Tilt Angle	-25° to 180° (Auto Flip)
	Pan Speed	0.1° ~ 240°/s(Manual), 0.1° ~ 240°/s(Preset)
	Tilt Speed	0.1° ~ 180°/s(Manual), 0.1° ~ 180°/s(Preset)
	Presets	300
	Patrol	8 patrols, up to 16 presets per patrol
	Tour Pattern	4 Tour patterns
	Power-off Memory	Supported
	PTZ position display	Supported
	Preset Freezing	Supported
	Scheduled Task	Preset/Cruise/Trace/Random Scan/Boundary Scanning /Dome reboot
	Action mode	Preset/Cruise/Trace/Auto Scan/Random Scan
	Proportional Zoom	Supported
	3D Positioning	Supported

TECHNICAL SPECIFICATIONS

VP-NC9804P-AZ32IR7T1

Operational Features	Digital Zoom	16x
	HLC /BLC	Supported
	EIS	Supported
	Picture overlay	Logo picture could be overlaid on video with 128x128pixels,24bits BMP format
	Defog	Electronic
	WDR	120dB
	RS485	PELCO-P, PELCO-D, custom protocols available
	Privacy Mask	4 Programmable privacy masks, up to 8 per request
	3D DNR	Auto/Manual
	Codec streaming capability	Triple streaming
	Image settings	Flip, Mirror, Saturation, Brightness, Contrast, Sharpness, AGC, and AWB adjusted by client software/browser
	Security	User authentication (ID and PW), Host authentication (MAC address); HTTPS encryption, IEEE802.1x port-based network access control; IP address filtering
	Onboard Storage	Support micro SD/SDHC/SDXC, up to 256 GB
	Alarm Linkage	Alarm actions, such as Preset, Cruise,Track, Memory Card Video Record, Trigger Recording, Notify Surveillance Center, Upload to FTP/Memory Card, Send Email, etc.
Basic event	Motion detection, Video tampering alarm, Exception (Network disconnected, IP address conflict, SD full, SD error)	
Network & Remote Monitoring	Protocols	HTTP, HTTPS, IPv4/IPv6, 802.1x, QoS, FTP, SMTP, UPnP, SNMP, DNS, DDNS, NTP, RTSP, RTCP, RTP, TCP/IP, UDP, IGMP, ICMP,DHCP, PPPoE
	System Compatibility	ONVIF
	CMS	Full function CMS (Central monitoring software)
	User Access	16 users online with professional authority management
	Mobile Client Application	Supports android and iOS APP for Smart phone and tablets
	Bandwidth Control	VBR (Automatic) and CBR (Manual) supported
	Simultaneous Live View	Up to 6 channels
	Web Browser	IE(8-11); Firefox (ver44 and early);Chrome(ver76)
Interface	Ethernet	1 RJ45 10M/100M adaptive ethernet
Smart Analytics	Smart Features	Intrusion detection, Line crossing detection, Region entrance/exiting detection, Unattended baggage detection, Object removal detection, Scene change detection, Support alarm triggering by human or vehicle, filtering flag/animal
	Face Recognize/compare	Default off, Max 15 human faces per second
	Smart Tracking	Manual Tracking, Auto Tracking (human or vehicle)
Electrical	Power Requirement	AC24V, DC24V,PoE++ (802.3.bt, class 7)
	Power Consumption	MAX. 50W (include IR on, Heater on, Fan working)
	Alarm Input/Output	2CH alarm input; 2CH alarm output
	Audio Input/Output	1 audio input/1 audio output, line level, impedance,600Ω
	CVBS	Yes, 1 BNC connector

TECHNICAL SPECIFICATIONS

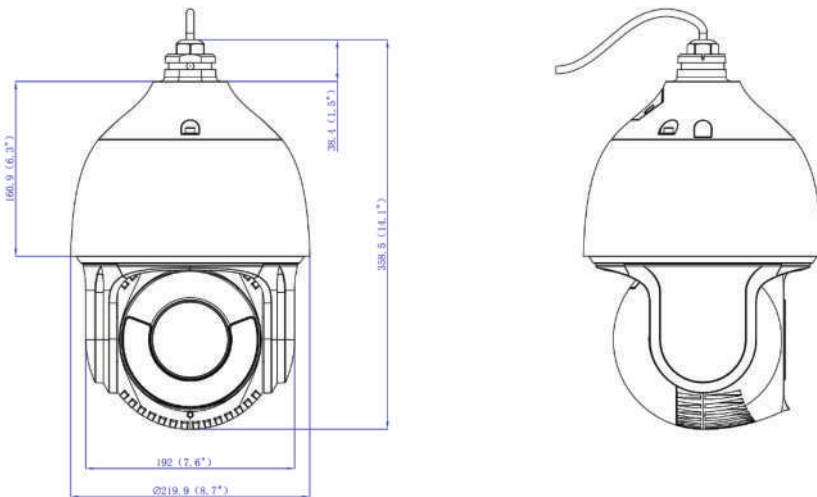
VP-NC9804P-AZ32IR7T1

Environmental	Enclosure	IP67, 6,000V Lightning Protection, Surge Protection and Voltage Transient Protection
	Impact Protection	IK10
	Operating Temperature	-50°C to +65°C
	Storage Temperature	-40°C to +70°C
	Operating Humidity	95% or less (non-condensing)
Mechanical	Material	Aluminum Alloy; PC+10% GF
	Dimensions	Φ 219.9mm x H 358.5mm
	Weight	Approx. 6.0KG
Certification	Certification	UL, CE, FCC, RoHS

*Exact products and specifications shown may vary by geographic region and are subject to change without notice. Product image, weights and measurements are approximate and may vary due to customized solutions & products being offered as per customer requirements.

DIMENSIONS

Unit: mm



VANTAGE INTEGRATED SECURITY SOLUTIONS LIMITED

B3, Bredon House 321, Tenttenhall Road Tettenhall, Wolverhampton

West Midlands, WV6 0JZ United Kingdom

Ph: +44-1902793383, Email: sales@vantagesecurity.com

www.vantagesecurity.com

(AN ISO 9001 : 2008, ISO14001 : 2004 CERTIFIED COMPANY)

