

FULL HIGH DEFINITION 2MP IP PTZ Starlight Camera

VP-NC9692P-AZ37IR8T1 IR Night Vision High Speed PTZ Dome Camera



FEATURES

- Full High Definition 2MP (1920 x 1080) resolution
- 1/1.8" Progressive Scan CMOS Sensor
- Inbuilt 120dB WDR, 3D DNR, HLC, BLC & Defog functions
- Support H.265/H.264 video compression
- 37x Optical zoom
- 360° endless panning
- Inbuilt IR LEDs for 500 mtrs IR range
- Smart Analytics
- IP67 Weather proof outdoor enclosure



TECHNICAL SPECIFICATIONS

VP-NC9692P-AZ37IR8T1

Camera	Image sensor	1/1.8" Progressive Scan CMOS Sensor
	Signal System	PAL/NTSC
	Effective Pixels	1920 (H) x 1080 (V)
	Minimum Illumination	Color: 0.002 Lux @(F1.5, AGC ON) B/W:0.0004 Lux @(F1.5, AGC ON): 0 Lux with IR
	Electronic Shutter Speed	1/1 s to 1/10,000 s
	Signal to Noise	> 52dB
	Gain Control	Auto / Manual
	White Balance	Auto/Manual//Indoor/Outdoor
Lens	Lens Type	5.6mm to 208mm, 37x Optical
	Angle of View	62° to 2.3° (Wide-Tele)
	Focus	Auto/Semi-automatic/Manual/rapid focus
	Zoom	37x Optical Zoom
	Zoom Speed	Approx. 4.4s (optical zoom, wide-tele)
	Field of View	Horizontal:59.8° to 2.3°(wide-tele); Vertical: 33.6° to 1.3°(wide-tele); Diagonal: 68.6° to 2.6°(wide-tele)
	Aperture Range	F1.55 to F4.5
Compression	Video compression	H.265 / H.264 / MJPEG
	Audio compression	G.711A/U
	H.265 codec profile	Main profile
Resolution and Frame Rate	Max. Resolution	1920 x 1080
	Main Stream	1920 x 1080, 1280 x 960, 1280 x 720 (25/30fps)
	Sub Stream	25fps (704 x 576, 640 x 480, 352 x 288) 30fps (704 x 480, 640 x 480, 352 x 240)
	Third Stream	25fps (1920 x 1080, 1280 x 960, 1280 x 720, 704 x 576, 640 x 480, 352 x 288) 30fps (1920 x 1080, 1280 x 960, 1280 x 720, 704 x 480, 640 x 480, 352 x 240)
Day/Night Functionality	Day & Night	True Day & Night with ICR
	IR Cut	High performance Mechanical IR Cut Filter with auto switch
	IR Source	Inbuilt High performance IR LEDs
	IR Range	500 Mtrs
Pan-Tilt	Pan Angle	360° endless pan rotation
	Tilt Angle	-20° to 180° (Auto Flip)
	Pan Speed	0.1° ~ 180°/s(Manual), 0.1° ~ 180°/s(Preset)
	Tilt Speed	0.1° ~ 150°/s(Manual), 0.1° ~ 150°/s(Preset)
	Presets	300
	Cruise	8 cruises, up to 16 presets for each cruises
	Track	4 tracks, record time over 3 minutes for each track
	Power-off Memory	Supported
	PTZ position display	Supported
	3D Positioning	Supported
	Action mode	Preset/Cruise/Track/Auto Scan/Random Scan
	Schedule Task	Preset/Cruise/Track/Random Scan/Boundary Scanning /Dome reboot

TECHNICAL SPECIFICATIONS

VP-NC9692P-AZ37IR8T1

Operational Features	Privacy Masking	4 programmable privacy masks
	Alarm Trigger	Alarm actions, such as Preset, Cruise, Track, Memory Card Video Record, Trigger Recording, Notify Surveillance Center, Upload to FTP/Memory Card, Send Email, etc.
	Digital Zoom	16X
	Image Enhancement	WDR/HLC/BLC/3D DNR/Defog/EIS
	WDR	120dB
	Protocols	PELCO-P, PELCO-D, Multi protocol support
	Picture overlay	Logo picture could be overlaid on video with 128x128pixels, 24bits BMP format
	DNR	Inbuilt 3D DNR (Digital Noise Reduction) circuit
	Codec streaming capability	Triple streaming
	Image settings	Flip, Mirror, Saturation, Brightness, Contrast, Sharpness, AGC, and AWB adjusted by client software/browser
	Security	User authentication (ID and PW), Host authentication (MAC address); HTTPS encryption; IEEE 802.1x port-based network access control; IP address filtering
	Onboard Storage	Built-in memory card slot, support Micro SD/SDHC/SDXC, up to 256 GB
Network & Remote Monitoring	Protocols	HTTP, HTTPS, IPv4/IPv6, 802.1x, QoS, FTP, SMTP, UPnP, SNMP, DNS, DDNS, NTP, RTSP, RTCP, RTP, TCP/IP, UDP, IGMP, ICMP, DHCP, PPPoE
	System compatibility	ONVIF
	CMS	Full function CMS (Central monitoring software)
	User / Host	Up to 16 users, 3 levels: Administrator, Advanced User and Normal User
	Mobile Client Application	Supports android and iOS APP for Smart phone and tablets
	Bandwidth control	VBR (Automatic) and CBR (Manual) supported
	RS485	Supported
Interface	Ethernet	1 RJ45 10/100 Ethernet port
	Audio Input / Output	1CH audio input, 2 to 2.4v[p-p] 1K Ω \pm 10%; 1CH audio output (line out), impedance: 600 Ω
	Alarm input	7
	Alarm Output	2
Smart Analytics	Face recognize /compare	Default off, Max 30 human faces per second
	People density / LPR	Not support by this software version
	Smart Features	Intrusion detection, Line crossing detection, Region entrance detection, Region exiting detection, Unattended baggage detection, Object removal detection, Scene change detection, Support alarm triggering by human or vehicle, filtering flag/animal
	Smart Tracking	Manual Tracking, Auto Tracking (human or vehicle)
Electrical	Power Requirement (\pm 10%)	24 VAC, PoE(802.3at)
	Power Consumption	MAX. 50W (include IR on, Heater on, Fan working)
Environmental	Enclosure	IP67, 6000V Lightning Protection, Surge Protection and Voltage Transient Protection
	Impact Protection	IK10
	Wiper	Supported (optional)
	Operating Temperature	-40 $^{\circ}$ C to +65 $^{\circ}$ C
	Operating Humidity	95% or less (non-condensing)
Mechanical	Color	White
	Dimensions	Φ 278mm x 435mm
	Weight	Approx. 8.8KG
Certification	Certification	UL, CE, FCC, RoHS

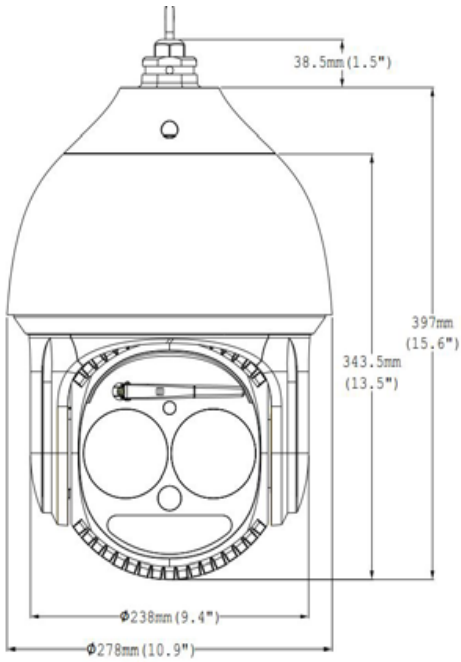
*Exact products and specifications shown may vary by geographic region and are subject to change without notice. Product image, weights and measurements are approximate and may vary.

TECHNICAL SPECIFICATIONS

VP-NC9692P-AZ37IR8T1

DIMENSIONS

Unit: mm



VANTAGE INTEGRATED SECURITY SOLUTIONS LIMITED

B3, Bredon House 321, Tenttenhall Road Tettenhall, Wolverhampton
West Midlands, WV6 0JZ United Kingdom

Ph: +44-1902793383, Email: sales@vantagesecurity.com

www.vantagesecurity.com

(AN ISO 9001 : 2008, ISO14001 : 2004 CERTIFIED COMPANY)

