

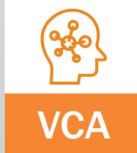
# FULL HIGH DEFINITION H.265 2MP IP BULLET CAMERA

# VP-NC91272B-AZIR3T1 IR NIGHT VISION MOTORIZED CAMERA



## FEATURES

- Full High Definition 2MP ( 1920 x 1080) resolution
- H.265 video compression technology with real time encoding
- Inbuilt High intensity Smart IR LEDs with intensity control
- Inbuilt True 120db WDR, 3D DNR,HLC, Defog & BLC functions
- Support triple streams
- Two way audio Supported
- Inbuilt SD card Slot up to 128GB Supported
- IP67 Weather proof outdoor enclosure



## TECHNICAL SPECIFICATIONS

### VP-NC91272B-AZIR3T1

Camera	Image sensor	1/2.8" Progressive Scan Sensor
	Signal System	PAL/NTSC
	Effective Pixels	1920 (H) x 1080 (V)
	Minimum Illumination	Color : 0.005 Lux @ F1.6, B&W: 0 Lux at IR
	Electronic Shutter Speed	1/25s ~ 1/100,000s
	Gain Control	Auto
	White Balance	Auto
	Signal to Noise	> 52 dB
	Iris	DC Iris
Lens	Lens Type	2.8mm to 12mm Motorized Lens
	Lens Mount	Φ14
	Focus	Auto
	Zoom	Optical Zoom Adjustment
Day/Night Functionality	Day & Night	True Day & Night with ICR
	IR Cut	High performance Mechanical IR Cut Filter with auto switch
	IR Source	Inbuilt High intensity Smart IR LEDs with intensity control
	IR Range	Up to 70 Mtr.
	IR Life	40000 Operation Hours
Compression	Video compression	H.265+/ H.265/ H.264+/ H.264/ MJPEG
	H.264 codec profile	Main profile/ Baseline profile/ High Profile
	Video Bit Rate	128 Kbps ~ 8 Mbps
	Audio compression	G.711A /G.711U
	Audio Bit Rate	64 Kbps
Resolution and Frame Rate	Max. Resolution	1920 x 1080
	Main Stream	50Hz: 25fps (1920 x 1080), 25fps (1280 x 720),25fps (704 x 480) 60Hz: 30fps (1920 x 1080), 30fps (1280 x 720),30fps (704 x 480)
	Sub/ Third Stream	60Hz: 25fps (1280 x 720), 25fps (704 x 480),25fps (352 x 240) 60Hz: 30fps (1280 x 720), 30fps (704 x 480),30fps (352 x 240)
Operational Features	Wide Dynamic Range (WDR)	120 dB
	BLC & HLC	Yes, zone configurable
	DNR	Inbuilt 3D DNR (Digital Noise Reduction) circuit
	ROI	Supported
	Codec streaming capability	Triple streaming
	Image settings	Saturation, Brightness, Chroma, Contrast, Sharpness, Defog, Mirror etc adjustable through client software or web browser
	Security	Watermark, IP address filtering, video mask, heartbeat, password protection, image distortion correction
	Onboard Storage	Built-in Micro SD / SDHC / SDXC card slot, up to 128 GB
	Alarm trigger	Motion detection, sensor alarm, SD card error, SD card full, IP address conflict, cable disconnection
Network & Remote Monitoring	Protocols	IPv4/IPv6, TCP/IP, FTP, HTTP, HTTPS, UDP, DHCP, DNS, NTP, RTSP, RTCP, RTP, PPPoE, DDNS, SMTP, SNMP, IEEE802.1X
	System compatibility	ONVIF Profile S/ Profile G
	CMS	Full function CMS ( Central monitoring software)
	Mobile Client Application	Supports android and iOS APP for Smart phone and tablets
	Bandwidth control	VBR (Automatic) and CBR (Manual) supported
	User Access	Up to 10 users online with professional authority management
Interface	Ethernet	1 RJ45 10/100 Ethernet port
	Audio Input/Ouput	1/1
	Alarm Input/Ouput	1/1
	Video Output	1 x BNC

## TECHNICAL SPECIFICATIONS

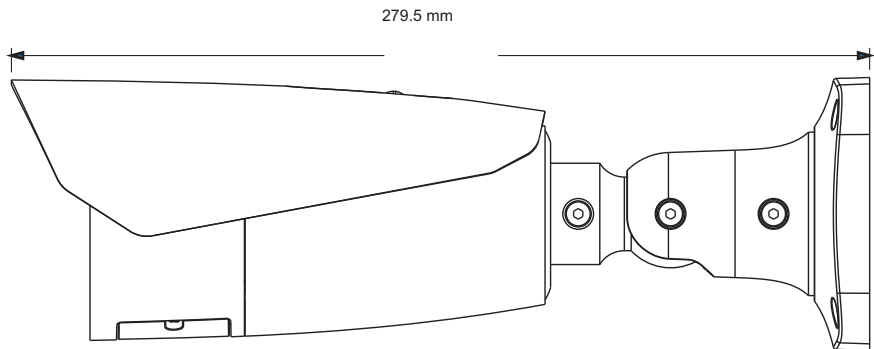
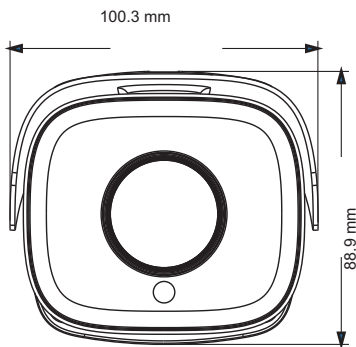
# VP-NC91272B-AZIR3T1

Features	Smart Analytics	Line crossing, Intrusion detection, Object removal ,Abnormal video detection,People Counting detection,People Intrusion Detection face detection, face capture, crowd density detection, heat map
Electrical	Power Requirement	12 VDC $\pm$ 10% , PoE (802.3af)
	Power Consumption	Max. 8W
Environmental	Enclosure	IP67 Weather proof outdoor enclosure
	Mounting bracket	Integrated mounting bracket with cable management
	Operating Temperature	-30°C to + 60°C
	Operating Humidity	95% or less (non-condensing)
Mechanical	Color	White
	Dimensions	279.5 x 100.3 x 88.9
	Weight	1040g
Certifications	Certifications	UL, CE, FCC, RoHS

\*Exact products and specifications shown may vary by geographic region and are subject to change without notice. Weights and measurements are approximate and may vary.

## DIMENSIONS

Unit:  
mm



## VANTAGE INTEGRATED SECURITY SOLUTIONS LIMITED

B3, Bredon House 321, Tenttenhall Road Tettenhall, Wolverhampton

West Midlands, WV6 0JZ United Kingdom

Ph: +44-1902793383, Email: sales@vantagesecurity.com

[www.vantagesecurity.com](http://www.vantagesecurity.com)

(AN ISO 9001 : 2008, ISO14001 : 2004 CERTIFIED COMPANY)

