

FULL HIGH DEFINITION 5MP IP BULLET CAMERA

VP-NC91005B-AZIR2T1 IR NIGHT VISION MOTORIZED ZOOM CAMERA



FEATURES

Full HD 5MP (2592 × 1944) resolution

1/2.7" Progressive Scan CMOS Sensor

Inbuilt smart IR LEDs with intensity control

High performance IR Cut mechanical filter for True Day & Night vision

Inbuilt 120dB WDR, 3D DNR, HLC, BLC, Defog & ROI functions

Support triple streams

Support CVBS video output and one-way audio

IP67 Weather proof outdoor enclosure



TECHNICAL SPECIFICATIONS

VP-NC91005B-AZIR2T1

Camera	Image Sensor	1/2.7" Progressive Scan CMOS Sensor
	Signal System	PAL/NTSC
	Effective Pixels	2592 (H) x 1944 (V)
	Minimum Illumination	Color : 0.013lux @F1.2,AGC ON; 0 lux with IR
	Electronic Shutter Speed	1 / 30 s ~ 1 / 100000 s
	Gain Control	Auto
	White Balance	Auto
	Signal to Noise	> 52 dB
	Iris	DC Iris
Lens	Lens Type	2.8 - 12mm Motorized Lens
	Lens Mount	Φ14
	Focus	Motorized
	FOV	H.FoV: 95.1°~30°; V.Fov: 78.7°~22.8°;D.FoV: 107.6°~37.1°
Day/Night Functionality	Day & Night	True Day & Night with ICR
	IR Cut	High performance Mechanical IR Cut Filter with auto switch
	IR Source	Inbuilt Smart IR LEDs with intensity control
	IR Range	30 Mtr.
Compression	Video compression	H.265+ / H.265 / H.264+/H.264 / MJPEG
	H.264 codec profile	Main profile
	Audio Compression	G711A
	Video Bit Rate	64Kbps ~ 8Mbps
Resolution and Frame Rate	Max. Resolution	2592x1944
	Main Stream	5MP/4MP/2K/3MP/1080P / 720P(60Hz : 1 ~ 30fps; 50Hz: 1~25fps) HFR mode: 1080P / 720P(60Hz : 1 ~ 60fps; 50Hz: 1~50fps)
	Sub Stream	50HZ:720P(1~15fps)/D1(1~25fps)/CIF (1~30fps) 60Hz : 720P(1~15fps)/D1(1~30fps)/CIF (1~25fps)
	Third Stream	60Hz : D1/CIF/480 x 240 (1~30fps);50HZ:D1/CIF/480x 240(1~25fps)
Operational Features	Wide Dynamic Range (WDR)	120dB
	Defog	Supported
	BLC	Supported
	ROI	Each ROI to be configured separately
	HLC	Supported
	DNR	Inbuilt 3D DNR (Digital Noise Reduction) circuit
	Codec streaming capability	Triple streaming
	Image settings	Saturation, Brightness, Chroma, Contrast, Wide Dynamic, Sharpen, NR, Antiflicker, etc. adjustable through client software or web browser
	Alarm trigger	Motion detection, SD card error, SD card full
	Onboard Storage	Built-in Micro SD/SDHC/SDXC slot, up to 256 GB
	General Function	Watermark, IP address filtering, video mask, heartbeat, password protection, image distortion correction
Network & Remote Monitoring	Protocols	UDP, IPv4, IPv6, DHCP, NTP, RTSP, RTP, RTCP, ICMP, IGMP, PPPoE, DDNS, SMTP, FTP, SNMP,HTTP, 802.1x, UPnP, HTTPs, QoS
	System compatibility	ONVIF
	CMS	Full function CMS (Central monitoring software)
	Mobile Client Application	Supports android and iOS APP for Smart phone and tablets
	Bandwidth control	VBR (Automatic) and CBR (Manual) supported

TECHNICAL SPECIFICATIONS

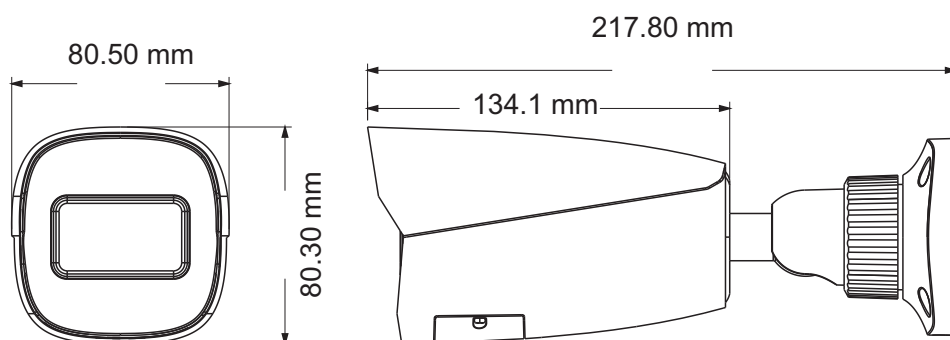
VP-NC91005B-AZIR2T1

Interface	Ethernet	1 RJ45 10/100 Ethernet port
	Power Input	Standard DC Jack
	Audio	1CH audio input
Smart Features	Smart Analytics	Line crossing, intrusion detection, Target Counting, Scene change, video blur detection, Face Detection
Electrical	Power Requirement	12 VDC \pm 10% , PoE (802.3af)
	Power Consumption	Max. <9W
Environmental	Enclosure	IP67 Weather proof outdoor enclosure
	Mounting bracket	Integrated mounting bracket with cable management
	Operating Temperature	-30°C to + 60°C
	Operating Humidity	95% or less (non-condensing)
Mechanical	Color	White
	Dimensions	217.8 x 80.5 x 80.3mm
	Weight	Approx. 0.68KG
Certifications	Certifications	UL,CE, FCC, RoHS

*Exact products and specifications shown may vary by geographic region and are subject to change without notice. Product image, weights and measurements are approximate and may vary.

DIMENSIONS

Unit: mm



VANTAGE INTEGRATED SECURITY SOLUTIONS LIMITED

B3, Bredon House 321, Tenttenhall Road Tettenhall, Wolverhampton

West Midlands, WV6 0JZ United Kingdom

Ph: +44-1902793383, Email: sales@vantagesecurity.com

www.vantagesecurity.com

(AN ISO 9001 : 2008, ISO14001 : 2004 CERTIFIED COMPANY)

