

FULL HIGH DEFINITION 5MP IP BULLET CAMERA

VP-NC91005B-AF3IR2T1 IR NIGHT VISION FIXED CAMERA



FEATURES

Full HD 5MP (2592 × 1944) resolution

1/2.7" Progressive Scan CMOS Sensor

Inbuilt smart IR LEDs with intensity control

High performance IR Cut mechanical filter for True Day & Night vision

Inbuilt 120dB WDR, 3D DNR, HLC, BLC, Defog & ROI functions

Support triple streams

Support CVBS video output and one-way audio

IP67 Weather proof outdoor enclosure



TECHNICAL SPECIFICATIONS

VP-NC91005B-AF3IR2T1

| | | |
|-----------------------------|----------------------------|--|
| Camera | Image Sensor | 1/2.7" Progressive Scan CMOS Sensor |
| | Signal System | PAL/NTSC |
| | Effective Pixels | 2592 (H) × 1944 (V) |
| | Minimum Illumination | Color : 0.013lux @F1.2,AGC ON; 0 lux with IR |
| | Electronic Shutter Speed | 1 / 30 s ~ 1 / 100000 s |
| | Gain Control | Auto |
| | White Balance | Auto |
| | Signal to Noise | > 52 dB |
| | Iris | Fixed |
| Lens | Lens Type | 3.6mm Fixed Lens |
| | Lens Mount | M12 |
| | Focus | Fixed |
| | FOV | H.FoV: 81.4°; V.FoV:65.7°; D.FoV:94.2° |
| Day/Night Functionality | Day & Night | True Day & Night with ICR |
| | IR Cut | High performance Mechanical IR Cut Filter with auto switch |
| | IR Source | Inbuilt Smart IR LEDs with intensity control |
| | IR Range | 30 Mtr. |
| Compression | Video compression | H.265+ / H.265 / H.264+/H.264 / MJPEG |
| | H.264 codec profile | Main profile |
| | Audio Compression | G711A |
| | Video Bit Rate | 64Kbps ~ 8Mbps |
| Resolution and Frame Rate | Max. Resolution | 2592x1944 |
| | Main Stream | 5MP/4MP/2K/3MP/1080P / 720P(60Hz : 1 ~ 30fps; 50Hz: 1~25fps) HFR mode: 1080P / 720P(60Hz : 1 ~ 60fps; 50Hz: 1~50fps) |
| | Sub Stream | 50HZ:720P(1~15fps)/D1(1~25fps)/CIF (1~30fps) 60Hz : 720P(1~15fps)/D1(1~30fps)/CIF (1~25fps) |
| | Third Stream | 60Hz : D1/CIF/480 × 240 (1~30fps) ;50HZ:D1/CIF/480x 240(1~25fps) |
| Operational Features | Wide Dynamic Range (WDR) | 120dB |
| | Defog | Supported |
| | BLC | Supported |
| | ROI | Each ROI to be configured separately |
| | HLC | Supported |
| | DNR | Inbuilt 3D DNR (Digital Noise Reduction) circuit |
| | Codec streaming capability | Triple streaming |
| | Image settings | Saturation, Brightness, Chroma, Contrast, Wide Dynamic, Sharpen, NR, Antiflicker, etc. adjustable through client software or web browser |
| | Alarm trigger | Motion detection, SD card error, SD card full |
| | Onboard Storage | Built-in Micro SD/SDHC/SDXC slot, up to 256 GB |
| | General Function | Watermark, IP address filtering, video mask, heartbeat, password protection, image distortion correction |
| Network & Remote Monitoring | Protocols | UDP, IPv4/IPv6, DHCP, NTP, RTSP, RTP, RTCP, ICMP, IGMP, PPPoE, DDNS, SMTP, FTP, SNMP,HTTP, 802.1x, UPnP, HTTPs, QoS |
| | System compatibility | ONVIF |
| | CMS | Full function CMS (Central monitoring software) |
| | Mobile Client Application | Supports android and iOS APP for Smart phone and tablets |
| | Bandwidth control | VBR (Automatic) and CBR (Manual) supported |

TECHNICAL SPECIFICATIONS

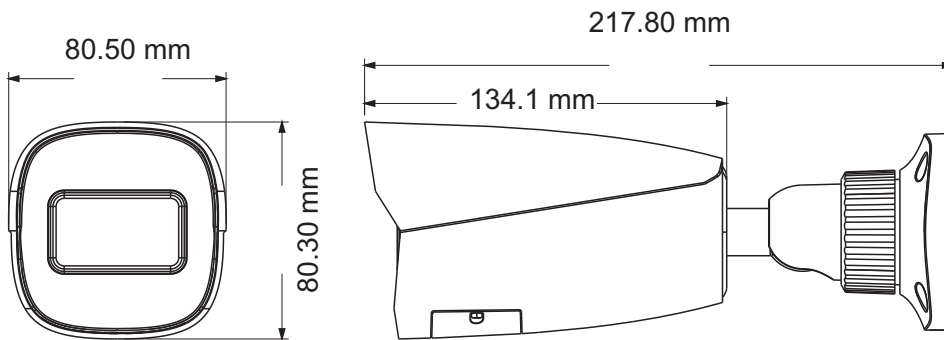
VP-NC91005B-AF3IR2T1

| | | |
|----------------|-----------------------|---|
| Interface | Ethernet | 1 RJ45 10/100 Ethernet port |
| | Power Input | Standard DC Jack |
| | Audio | 1CH audio input |
| Smart Features | Smart Analytics | Line crossing, intrusion detection, Target Counting, Scene change, video blur detection, Face Detection |
| Electrical | Power Requirement | 12 VDC \pm 10% , PoE (802.3af) |
| | Power Consumption | Max. <9W |
| Environmental | Enclosure | IP67 Weather proof outdoor enclosure |
| | Mounting bracket | Integrated mounting bracket with cable management |
| | Operating Temperature | -30°C to + 60°C |
| | Operating Humidity | 95% or less (non-condensing) |
| Mechanical | Color | White |
| | Dimensions | 217.8 x 80.5 x 80.3mm |
| | Weight | Approx. 0.68KG |
| Certifications | Certifications | UL,CE, FCC, RoHS |

*Exact products and specifications shown may vary by geographic region and are subject to change without notice. Product image, weights and measurements are approximate and may vary.

DIMENSIONS

Unit: mm



VANTAGE INTEGRATED SECURITY SOLUTIONS LIMITED

B3, Bredon House 321, Tenttenhall Road Tettenhall, Wolverhampton

West Midlands, WV6 0JZ United Kingdom

Ph: +44-1902793383, Email: sales@vantagesecurity.com

www.vantagesecurity.com

(AN ISO 9001 : 2008, ISO14001 : 2004 CERTIFIED COMPANY)

