

FULL HIGH DEFINITION 5MP IP BULLET CAMERA

VP-NC8455P-Z10IR5B1 Mini Pan Tilt Zoom Camera



FEATURES

Full High Definition 5MP (2592 x 1944) resolution

1/3" Progressive Scan Sensor

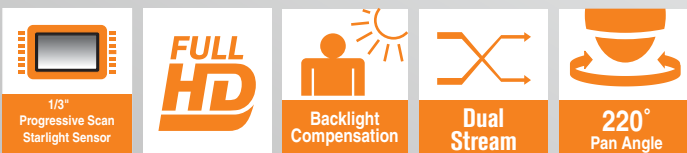
10x Optical zoom

220° pan angle supported

Inbuilt IR LEDs for 100 mtrs IR range

Supports presets/patrol/pan scan Inbuilt

DWDR, 3D DNR & BLC



TECHNICAL SPECIFICATIONS

VP-NC8455P-Z10IR5B1

Camera	Image sensor	1/3" Progressive Scan Starlight Sensor
	Signal System	PAL/NTSC
	Effective Pixels	2592 (H) × 1944 (V)
	Minimum Illumination	Color: 0.01Lux@(F1.4, AGC ON); B/W: 0.0015Lux@(F1.4, AGC ON); 0 Lux with IR
	Electronic Shutter Speed	1/1- 1/10,000s
	Signal to Noise	> 50 dB
	Gain Control	Auto / Manual
	White Balance	Auto / Manual
	Auto Iris	Auto / Manual
Lens	Lens Type	5- 50mm Motorized Lens
	Angle of View	55.2-7.3 degree (Wide-Tele)
	Focus	Auto Focus
	Zoom	10x Optical Zoom
	Zoom Speed	Approx.1s (Optical Wide-Tele)
	Aperture Range	F1.4 ~ F3.5
Compression	Video compression	H.265/ H.264/ MJPEG
	Audio compression	G711/ PCM
	Video Bit Rate	32 Kbps ~ 8 Mbps
Resolution and Frame Rate	Max. Resolution	2592 x 1944
	Frame rate	50Hz: 15 fps (2592×1944), 22 fps (2592×1520);25 fps (1920×1080) 60Hz: 15 fps (2592×1944), 22 fps (2592×1520);30 fps (1920×1080)
Day/Night Functionality	Day & Night	True Day & Night with ICR
	IR Cut	High performance Mechanical IR Cut Filter with auto switch
	IR Source	Inbuilt High performance 6 pcs.Array LEDs
	IR Range	Up to 100 Mtrs
	IR Irradiation Angle	Automatically adjusted, depending on the zoom ratio
Pan-Tilt	Pan Angle	220°
	Pan Speed	0° ~ 30°/s
	Tilt Angle	-45° ~ 40°/s
	Tilt Speed	0° ~ 25°/s
	Presets	220
	Patrol	3 patrols, up to 16 presets per patrol
	Power-off Memory	Supported
	PTZ position display	Supported
Operational Features	OSD Menu	Supported
	Camera ID	On/Off
	Privacy Masking	Yes multiple zone supported
	Digital Zoom	Supported
	Motion Detection	Supported
	Backlight Compensation	Supported
	Video Adjustment	Supported
	WDR	D-WDR
	Protocols	PELCO-P, PELCO-D, Multi protocol support
	Baud Rate	2400/4800/9600bps
DNR	Inbuilt 3D DNR (Digital Noise Reduction) circuit	

TECHNICAL SPECIFICATIONS

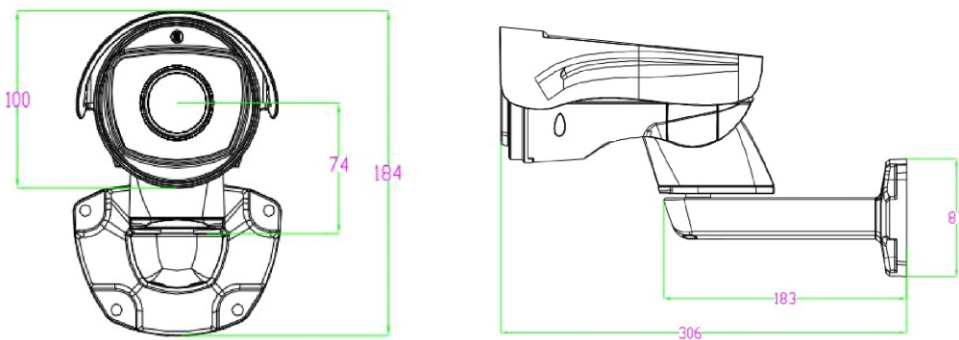
VP-NC8455P-Z10IR5B1

	Codec streaming capability	Dual streaming
	Image settings	Rotate mode, Saturation, brightness, contrast, sharpness adjustable through client software or web browser
	Security	User authentication
Network & Remote Monitoring	Protocols	TCP/IP HTTP, HTTPS, FTP, SMTP, UPnP, SNMP, DNS, UDP, IGMP, DDNS, NTP, RTSP, RTP, ARP, DHCP, PPPoE, P2P
	System compatibility	ONVIF
	CMS	Full function CMS (Central monitoring software)
	Mobile Client Application	Supports android and iOS APP for Smart phone and tablets
	Bandwidth control	Supported
	Network storage	NVR/CMS
Interface	Ethernet	1 RJ45 10/100 Ethernet port
	Power Input	Standard DC Jack
Electrical	Power Requirement ($\pm 10\%$)	12VDC/2A
	Power Consumption	MAX. 15W
Environmental	Enclosure	IP67 weather proof outdoor Enclosure
	Mounting bracket	External Mounting bracket included
	Operating Temperature	-40°C to +60°C
	Operating Humidity	95% or less (non-condensing)
Mechanical	Color	White
	Dimension	184x100mm
Certification	Certifications	UL, CE, FCC, RoHS

*Exact products and specifications shown may vary by geographic region and are subject to change without notice. Weights and measurements are approximate and may vary.

DIMENSIONS

Unit: mm



VANTAGE INTEGRATED SECURITY SOLUTIONS LIMITED

B3, Bredon House 321, Tenttenhall Road Tettenhall, Wolverhampton

West Midlands, WV6 0JZ United Kingdom

Ph: +44-1902793383, Email: sales@vantagesecurity.com

www.vantagesecurity.com

(AN ISO 9001 : 2008, ISO14001 : 2004 CERTIFIED COMPANY)

