

FULL HIGH DEFINITION 2MP IP BULLET CAMERA

VP-NC8452P-Z04IR4B1 Mini Pan Tilt Zoom Camera



FEATURES

Full High Definition 2MP (1920 x 1080) resolution

1/3" Progressive Scan Starlight Sensor

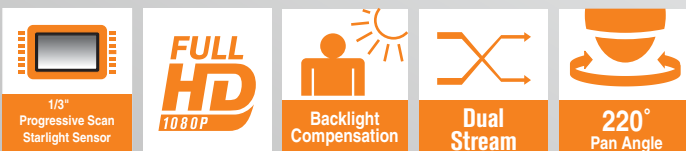
4x Optical zoom

220° pan angle supported

Inbuilt IR LEDs for 80 mtrs IR range

Supports presets/patrol/pan scan

Inbuilt DWDR, 3D DNR & BLC



TECHNICAL SPECIFICATIONS

VP-NC8452P-Z04IR4B1

Camera	Image sensor	1/3" Progressive Scan Starlight Sensor
	Signal System	PAL/NTSC
	Effective Pixels	1920 (H) x 1080 (V)
	Minimum Illumination	Color: 0.01Lux@(F1.4, AGC ON); B/W: 0.0015Lux@(F1.4, AGC ON); 0 Lux with IR
	Electronic Shutter Speed	1/1- 1/10,000s
	Signal to Noise	> 50 dB
	Gain Control	Auto / Manual
	White Balance	Auto / Manual
	Auto Iris	Auto / Manual
Lens	Lens Type	2.8- 12mm Motorized Lens
	Angle of View	102-48 degree (Wide-Tele)
	Focus	Auto Focus
	Zoom	4x Optical Zoom
	Zoom Speed	Approx.1s (Optical Wide-Tele)
	Aperture Range	F1.4 ~ F3.5
Compression	Video compression	H.265/ H.264/ MJPEG
	Audio compression	G711/ PCM
	Video Bit Rate	32 Kbps ~ 8 Mbps
Resolution and Frame Rate	Max. Resolution	1920 x 1080
	Frame rate	50Hz: 25 fps (1920x1080), 25 fps (1280x720); 60Hz: 30 fps (1920x1080), 30 fps (1280x720);
Day/Night Functionality	Day & Night	True Day & Night with ICR
	IR Cut	High performance Mechanical IR Cut Filter with auto switch
	IR Source	Inbuilt High performance 6 pcs.Array LEDs
	IR Range	Up to 80 Mtrs
	IR Irradiation Angle	Automatically adjusted, depending on the zoom ratio
Pan-Tilt	Pan Angle	220°
	Pan Speed	0° ~ 30°/s
	Tilt Angle	-45° ~ 40°/s
	Tilt Speed	0° ~ 25°/s
	Presets	220
	Patrol	3 patrols, up to 16 presets per patrol
	Power-off Memory	Supported
	PTZ position display	Supported
Operational Features	OSD Menu	Supported
	Camera ID	On/Off
	Privacy Masking	Yes multiple zone supported
	Digital Zoom	Supported
	Motion Detection	Supported
	Backlight Compensation	Supported
	Video Adjustment	Supported
	WDR	D-WDR
	Protocols	PELCO-P, PELCO-D, Multi protocol support
	Baud Rate	2400/4800/9600bps
DNR	Inbuilt 3D DNR (Digital Noise Reduction) circuit	

TECHNICAL SPECIFICATIONS

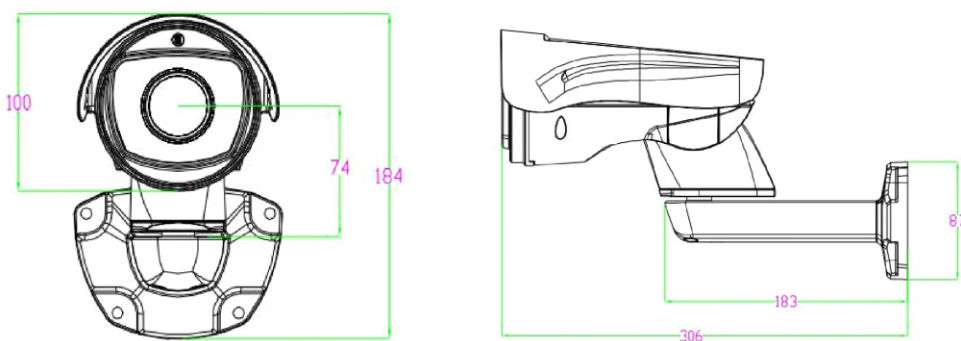
VP-NC8452P-Z04IR4B1

	Codec streaming capability	Dual streaming
	Image settings	Rotate mode, Saturation, brightness, contrast, sharpness adjustable through client software or web browser
	Security	User authentication
Network & Remote Monitoring	Protocols	TCP/IP HTTP, HTTPS, FTP, SMTP, UPnP, SNMP, DNS, UDP, IGMP, DDNS, NTP, RTSP, RTP, ARP, DHCP, PPPoE, P2P
	System compatibility	ONVIF
	CMS	Full function CMS (Central monitoring software)
	Mobile Client Application	Supports android and iOS APP for Smart phone and tablets
	Bandwidth control	Supported
	Network storage	NA
Interface	Ethernet	1 RJ45 10/100 Ethernet port
	Power Input	Standard DC Jack
Electrical	Power Requirement ($\pm 10\%$)	12VDC/2A
	Power Consumption	MAX. 15W
Environmental	Enclosure	IP66 weather proof outdoor Enclosure
	Mounting bracket	External Mounting bracket included
	Operating Temperature	-40°C to +60°C
	Operating Humidity	95% or less (non-condensing)
Mechanical	Color	White
	Dimension	184x100mm
Certification	Certifications	UL, CE, FCC, RoHS

*Exact products and specifications shown may vary by geographic region and are subject to change without notice. Weights and measurements are approximate and may vary.

DIMENSIONS

Unit: mm



VANTAGE INTEGRATED SECURITY SOLUTIONS LIMITED

B3, Bredon House 321, Tenttenhall Road Tettenhall, Wolverhampton

West Midlands, WV6 0JZ United Kingdom

Ph: +44-1902793383, Email: sales@vantagesecurity.com

www.vantagesecurity.com

(AN ISO 9001 : 2008, ISO14001 : 2004 CERTIFIED COMPANY)

