

# HIGH DEFINITION 1.3MP IP VEHICLE CAMERA

## VP-NC7201V-F4IRX1 IP68 ROBUST VEHICLE CAMERA



### FEATURES

High Definition 1.3MP (1280 x 960) resolution

Inbuilt Defog Feature Supported

Smart IR with intensity control

Inbuilt DWDR, 3D DNR & BLC functions

ONVIF Supported

Inbuilt motion detection supported

Onboard Storage SD Card up to 64GB Supported

IR night vision range up to 20 mtr.

IP68 robust water proof enclosure



Defog

**ROI**

Region of interest



SD Card



Backlight Compensation



Motion Detection

## TECHNICAL SPECIFICATIONS

### VP-NC7201V-F4IRX1

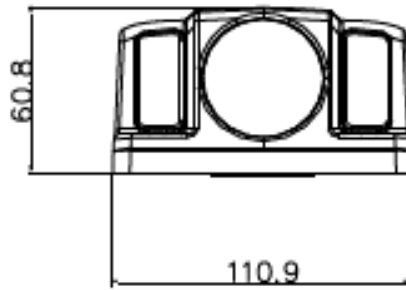
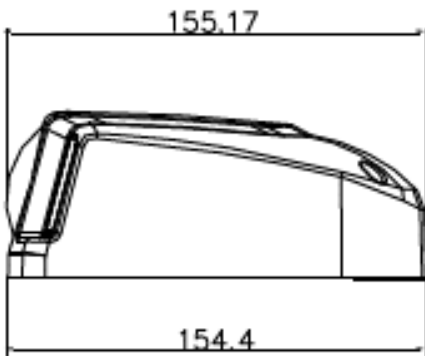
Camera	Image sensor	1/3" Sony Exmor Progressive Scan Sensor
	Signal System	PAL/NTSC
	Effective Pixels	1280 (H) x 960 (V)
	Minimum Illumination	Color : 0.01Lux @ F1.2, 0.015 lux @ F1.4
	Electronic Shutter Speed	1/3s-1/100,000s
	Gain Control	Auto
	White Balance	Auto (2000K to 10000K)
	Signal to Noise	> 62 dB
	Auto Iris	DC Drive
Lens	Lens Type	2 Megapixel IR corrected 4mm Fixed Lens
	Lens Mount	M12
	Focus	Fixed
Compression	Video compression	H.264 / MJPEG / MPEG4
	H.264 codec profile	Main profile
	Video Bit Rate	32 Kbps ~ 16 Mbps
Resolution and Frame Rate	Max. Resolution	1280 x 960
	Frame rate	50 Hz: 25 fps (1280 x 960), 25 fps (1280 x 720), 25 fps (704 x 576), 25 fps (640 x 480), 60 Hz: 30 fps (1280 x 960), 30 fps (1280 x 720), 30 fps (704 x 576), 30 fps (640 x 480)
Operational Features	Wide Dynamic Range (WDR)	DWDR
	Backlight compensation	Yes, zone configurable
	DNR	Inbuilt 3D DNR (Digital Noise Reduction) circuit
	Defog	Supported
	Codec streaming capability	Dual streaming
	Image settings	Rotate mode, Saturation, brightness, contrast, sharpness adjustable through client software or web browser
	ROI ( Region of Interest)	Yes, zone configurable upto 4 areas
	Security	User Authentication, watermark, reset button
	Onboard Storage	Built-in Micro SD / SDHC / SDXC card slot, up to 64 GB
	Alarm trigger	Motion Detection, Tampering Alarm
Network & Remote Monitoring	Protocols	TCP/IP, ICMP, HTTP, HTTPS, FTP, DHCP, DNS, DDNS, RTP, RTSP, RTCP, PPPoE, NTP, UPnP, SMTP, SNMP, IGMP, 802.1X, QoS, Ipv6, Bonjour (SIP optional)
	System compatibility	ONVIF, PSIA, CGI,ISAPI
	CMS	Full function CMS ( Central monitoring software)
	Mobile Client Application	Supports android and iOS APP for Smart phone and tablets
	Bandwidth control	VBR (Automatic) and CBR (Manual) supported
	Network Storage	NAS
Interface	Ethernet	1 RJ45 10/100/1000 Ethernet port
	Power Input	Standard DC Jack
	Alarm Input	1
	Alarm Output	1
Electrical	Power Requirement (± 10%)	12 VDC ± 10% , PoE (802.3af)
	Power Consumption	Max. 7W

Environmental	Enclosure	IP68 robust water proof enclosure
	Operating Temperature	-30°C to + 60°C
	Operating Humidity	95% or less (non-condensing)
Mechanical	Color	Gray
	Dimensions	155.17 × 110.9 × 60.8
	Weight	846g
Certifications	Certifications	UL, CE, FCC, RoHS

\*Exact products and specifications shown may vary by geographic region and are subject to change without notice. Weights and measurements are approximate and may vary.

## DIMENSIONS

Unit: mm



Unit:mm

## VANTAGE INTEGRATED SECURITY SOLUTIONS LIMITED

B3, Bredon House 321, Tenttenhall Road Tettenhall, Wolverhampton

West Midlands, WV6 0JZ United Kingdom

Ph: +44-1902793383, Email: sales@vantagesecurity.com

[www.vantagesecurity.com](http://www.vantagesecurity.com)

(AN ISO 9001 : 2008, ISO14001 : 2004 CERTIFIED COMPANY)

