

DUAL LENS TEMPERATURE DETECTING 4MP IP BULLET THERMAL CAMERA

VP-NC61324B-AF8THIR2X1 BODY TEMPERATURE MEASUREMENT CAMERA



FEATURES

- AI based body temperature measurement system for epidemic fever detection
- High sensitivity 160 × 120 resolution thermal module
- Temperature detection range of 30°C to 45°C with accuracy of ±0.5 °C
- Efficient preliminary screening for detecting elevated body temperature
- Non-contact measurement to reduce risk of catching infection through physical contact
- Supports face detection to reduce false alarms & multiple targets screening
- Real time monitoring through AI video management software



TECHNICAL SPECIFICATIONS

VP-NC61324B-AF8THIR2X1

Thermal Module	Image Sensor	Vanadium Oxide Uncooled Focal Plane Arrays
	Max. Resolution	160 × 120 (the resolution of output image is 320 × 240)
	Pixel Interval	17µm
	Response Waveband	8 µm to 14 µm
	NETD (Noise Equivalent Temperature Difference)	≤ 40 mk (@25 °C, F# = 1.1)
Lens	Lens (Focal Length)	6.2 mm
	IFOV	2.74 mrad
	Field of View	25° × 18.7° (H × V)
	Min. Focusing Distance	0.6 m
	Aperture	F 1.1
Optical Module	Image Sensor	1/2.7" Progressive Scan CMOS
	Min. Illumination	Color: 0.0089 Lux @(F1.6, AGC ON), B/W: 0.0018 Lux @(F1.6, AGC ON)
	Shutter Speed	1 s to 1/100,000 s
	Lens (Focal Length)	8 mm
	Field of View	39.42° × 22.14° (H × V)
	Wide Dynamic Range (WDR)	120 dB
Day/Night Functionality	Day & Night	True Day & Night with ICR
	IR Cut	High performance Mechanical IR Cut Filter with auto switch
	IR Source	Inbuilt Smart IR LEDs with intensity control
	IR Range	Up to 40 Mtr.
Resolution and Frame Rate	Max. Resolution	2688 × 1520
	Main Stream	Visible Light: 50Hz: 25fps (2688 × 1520), 25fps (1920 × 1080), 25fps (1280 × 720) Visible Light: 60Hz: 30fps (2688 × 1520), 30fps (1920 × 1080), 30fps (1280 × 720) Thermal: 1280 × 720, 704 × 576, 640 × 480, 352 × 288, 320 × 240
	Sub Stream	Visible Light: 50Hz: 25fps (704 × 576), 25fps (352 × 288), 25fps (176 × 144) Visible Light: 60Hz: 30fps (704 × 480), 30fps (352 × 240), 30fps (176 × 120) Thermal: 704 × 576, 352 × 288, 320 × 240
Network & Remote Monitoring	Video Compression	H.265/H.264/MJPEG
	Audio Compression	G.711u/G.711a/G.722.1/MP2L2/G.726/PCM
	Protocols	IPv4/IPv6, HTTP,HTTPS,802.1x, Qos,FTP, SMTP,UPnP,SNMP,DNS, DDNS, NTP, RTSP, NTP,SMTP,RTCP, RTP,TCP,,UDP,IGMP,ICMP, DHCP,PPPoE
	Simultaneous Live View	Up to 20
	Security	User authentication (ID and PW), MAC address binding, HTTPS encryption, IEEE 802.1x Access Control, IP Address filtering
	Bandwidth control	VBR (Automatic) and CBR (Manual) supported
	Onboard Storage	Built-in micro SD card slot, support Micro SD/SDHC/SDXC card (up to 128 GB) supports manual/alarm recording
Image Function	Bi-spectrum Image Fusion	Fusion view of thermal view and overlaid details of the optical channel
	Picture in Picture	Combines details of thermal and optical image PIP, overlay thermal image on optical image
Smart Features	Temperature Measurement	3 temperature measurement rule types, 21 rules in total (10 points, 10 areas, and 1 line)
	Temperature Range	30°C to +45 °C
	Temperature Accuracy	±0.5°C

TECHNICAL SPECIFICATIONS

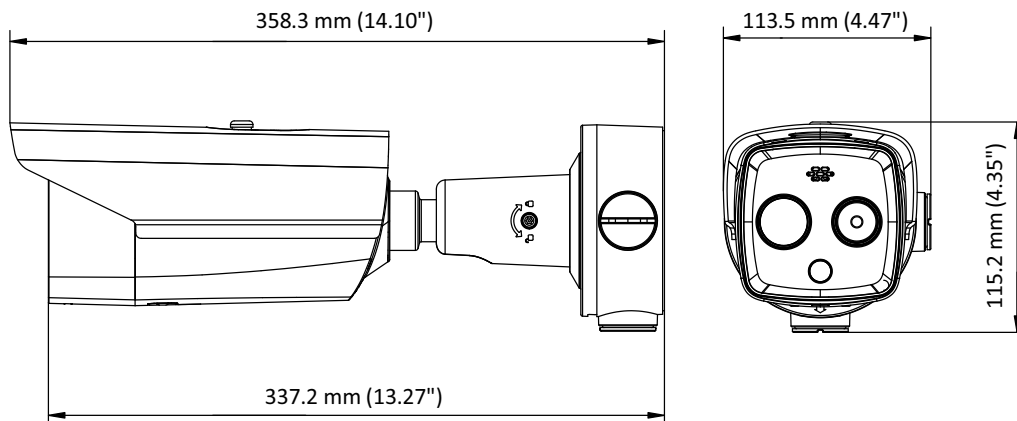
VP-NC61324B-AF8THIR2X1

Interface	Ethernet	1, RJ45 10M/100M self-adaptive Ethernet interface. 1, RS-485 interface
	Power Input	Standard DC Jack
	Alarm Input	2-ch inputs (0-5 VDC)
	Alarm Output	2-ch relay outputs, alarm response actions configurable
	Alarm Action	SD recording/relay output/smart capture/FTP upload/email linkage/ audio alarm/white light alarm
	Audio Input	1, 3.5 mm Mic in/Line in interface. Line input: 2 to 2.4 V [p-p], output impedance: 1 K Ω \pm 10%
	Audio Output	Linear level, impedance: 600 Ω
	Web Browser	I E9+, Chrome 31-44, Firefox 30-51, Safari 5.02+(mac)
	Menu language	32 languages
Electrical	Power Requirement	12 VDC \pm 20%, two-core terminal block PoE (802.3af, class 3)
	Power Consumption	<8W
Environmental	Enclosure	IP 66 outdoor TVS 6000V lightning protection, surge protection, voltage transient protection
	Operating Temperature	0°C to 35°C
	Operating Humidity	95% or less (non-condensing)
Mechanical	Color	White
	Dimensions	358.3 mm \times 113.5 mm \times 115.2 mm
	Weight	Approx. 1.76 kg
Certifications	Certifications	UL,CE, FCC, RoHS

*Exact products and specifications shown may vary by geographic region and are subject to change without notice. Product image, weights and measurements are approximate and may vary.

DIMENSIONS

Unit: mm



VANTAGE INTEGRATED SECURITY SOLUTIONS LIMITED

B3, Bredon House 321, Tenttenhall Road Tettenhall, Wolverhampton

West Midlands, WV6 0JZ United Kingdom

Ph:+44-1902793383, Email: sales@vantagesecurity.com

www.vantagesecurity.com

(AN ISO 9001 : 2008, ISO14001 : 2004 CERTIFIED COMPANY)

