

ULTRA HIGH DEFINITION 4MP IP PTZ CAMERA

VP-NC5394P-AZ25IR5X1
IR Night Vision High Speed PTZ Dome Camera



FEATURES

Ultra High Definition 4MP (2560 x 1440) resolution

1/2.8" Progressive Scan CMOS Sensor

Support H.265+/H.265 Video Compression

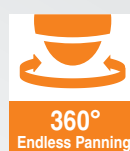
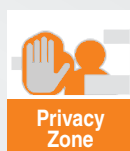
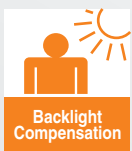
25x Optical Zoom, 16x Digital Zoom

360° Endless Panning

Inbuilt IR LEDs for 100 mtrs IR Range

Inbuilt WDR, 3D DNR, HLC, BLC, Defog, EIS, Regional Exposure & Regional Focus Functions

IP66 Weather Proof Outdoor Enclosure



TECHNICAL SPECIFICATIONS

VP-NC5394P-AZ25IR5X1

Camera	Image sensor	1/2.8" Progressive scan CMOS sensor
	Signal System	PAL/NTSC
	Effective Pixels	2560 (H) x 1440(V)
	Minimum Illumination	Color: 0.005Lux@(F1.6, AGC ON); B/W: 0.001Lux@(F1.6, AGC ON); 0 Lux with IR
	Electronic Shutter Speed	1/1 s to 1/30,000 s
	Signal to Noise	> 52 dB
	Gain Control	Auto / Manual
	White Balance	Auto/Manual/ATW/Indoor/Outdoor/Daylight lamp/Sodium lamp
Lens	Lens Type	4.8 ~ 120mm
	Angle of View (Wide-Tele)	55° to 2.4°(H), 33° to 1.4°(V), 61.5to 2.8°(D)
	Focus	Auto/Semi-automatic/Manual
	Zoom	25x Optical Zoom
	Zoom Speed	Approx. 3.6 s (optical lens, wide-tele)
	Aperture Range	F1.6 to F3.5
Compression	Video compression	H.265+/H.265/H.264+/H.264/MJPEG
	H.265 codec profile	Main profile
	Audio Compression	G.711alaw/G.711ulaw/G.722.1/G.726/MP2L2/PCM
	Audio Bitrate	G.711alaw/G.711ulaw: 64 Kbps, G.722.1/G.726: 16 Kbps, MP212/PCM 32 Kbps/64 Kbps/128 Kbps
	Video Bit Rate	32 Kbps ~ 16 Mbps
Resolution and Frame Rate	Max. Resolution	2560 x 1440
	Main Stream	50Hz: 25fps (2560 x 1440, 2048 x 1536, 1920 x 1080, 1280 x 960, 1280 x 720) 50fps (1920 x 1080, 1280 x 960, 1280 x 720) 60Hz: 30fps (2560 x 1440, 2048 x 1536, 1920 x 1080, 1280 x 960, 1280 x 720) 60fps (1920 x 1080, 1280 x 960, 1280 x 720)
	Sub-Stream	50Hz: 25fps (704 x 576, 640 x 480, 352 x 288) 60Hz: 30fps (704 x 480, 640 x 480, 352 x 240)
	Third Stream	50Hz: 25fps (1920x1080,1280x960,1280x720,704x576,640x480, 352x 288) 60Hz: 30fps (1920x1080,1280x960,1280x720,704x480,640x480, 352 x 240)
Day/Night Functionality	Day & Night	True Day & Night with ICR
	IR Cut	High performance Mechanical IR Cut Filter with auto switch
	IR Source	Inbuilt High Performance Smart IR LEDs
	IR Range	Up to 100 Mtrs
Pan-Tilt	Pan Angle	360° endless pan rotation
	Tilt Angle	-15° to 90° (Auto Flip)
	Pan Speed	0.1° ~ 80°/s(Manual), 80°/s(Preset)
	Tilt Speed	0.1° ~ 80°/s(Manual), 80°/s(Preset)
	Presets	300
	Proportional Zoom	Supported
	Patrol	8 patrols, up to 32 presets per patrol
	Tour Pattern	4 pattern scans, record time over 10 minutes for each scan
	Park Action	Preset/Pattern Scan/Patrol Scan/Auto Scan/Tilt Scan/Random Scan/ Frame Scan/Panorama Scan
	3D Positioning	Supported
	Preset Freezing	Supported
	Scheduled Task	Preset/Pattern Scan/Patrol Scan/Auto Scan/Tilt Scan/Random Scan/ Frame Scan/Panorama Scan/Dome Reboot/Dome Adjust/Aux Output
	Power-off Memory	Supported
PTZ position display	Supported	

TECHNICAL SPECIFICATIONS

VP-NC5394P-AZ25IR5X1

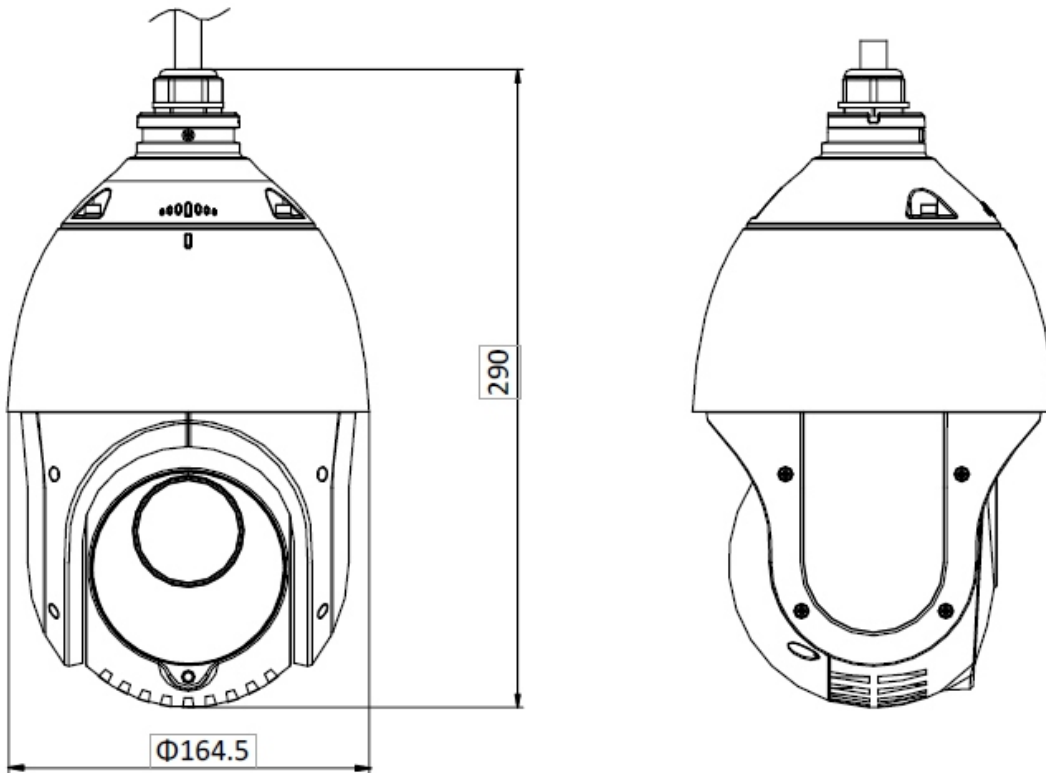
Operational Features	Camera ID	On/Off
	Privacy Masking	24 programmable privacy masks
	Digital Zoom	16x
	Image Enhancement	HLC/BLC/3D DNR/Defog/EIS/Regional Exposure/Regional Focus
	Video Adjustment	Supported
	WDR	120dB
	Protocols	PELCO-P, PELCO-D, Multi protocol support
	Baud Rate	2400/4800/9600bps
	DNR	Inbuilt 3D DNR (Digital Noise Reduction) circuit
	ROI	Supported
	Onboard Storage	Built-in Micro SD / SDHC / SDXC card slot, up to 256 GB
	Codec streaming capability	Triple streaming
	Image settings	Rotate mode, Saturation, brightness, contrast, sharpness adjustable through client software or web browser
	Security	User authentication (ID and PW), Host authentication (MAC address); HTTPS encryption; IEEE 802.1x port-based network access control; IP address filtering
Network & Remote Monitoring	Protocols	IPv4/IPv6, HTTP, HTTPS, 802.1x, Qos, FTP, SMTP, UPnP, SNMP, DNS, DDNS, NTP, RTSP, RTCP, RTP, TCP/IP, UDP, IGMP, ICMP, DHCP, PPPoE
	System compatibility	ONVIF, SDK
	CMS	Full function CMS (Central monitoring software)
	User Access	32 users online with professional authority management
	Mobile Client Application	Supports android and iOS APP for Smart phone and tablets
	Bandwidth control	VBR (Automatic) and CBR (Manual) supported
	Network storage	NAS (NPS, SMB/ CIPS), ANR
Interface	Ethernet	1 RJ45 10/100 Ethernet port
	Power Input	12 VDC, 2.0 A
	Audio Interface	1-ch audio input and 1-ch audio output
Smart Features	Basic Event	Motion Detection, Video Tampering Detection
	Analytics Feature	Intrusion Detection, Line Crossing Detection, Region Entrance Detection, Region Exiting Detection, Object Removal Detection, Unattended Baggage Detection, Audio Exception Detection
Electrical	Power Requirement ($\pm 10\%$)	12V DC & PoE (802.3 at, class4)
	Power Consumption	MAX. 18W
Environmental	Enclosure	IP66 TVS 4000V lightning protection, surge protection and Voltage Transient Protection
	Operating Temperature	-30°C to +65°C
	Operating Humidity	90% or less (non-condensing)
Mechanical	Color	White
	Dimensions	Φ 164.5 mm x 290 mm
	Weight	Approx. 2 kg
Certification	Certification	UL, CE, FCC, RoHS

*Exact products and specifications shown may vary by geographic region and are subject to change without notice. Product image, weights and measurements are approximate and may vary.

VP-NC5394P-AZ25IR5X1

DIMENSIONS

Unit: mm



VANTAGE INTEGRATED SECURITY SOLUTIONS LIMITED

B3, Bredon House 321, Tenttenhall Road Tettenhall, Wolverhampton
West Midlands, WV6 0JZ United Kingdom

Ph:+44-1902793383, Email: sales@vantagesecurity.com

www.vantagesecurity.com

(AN ISO 9001 : 2008, ISO14001 : 2004 CERTIFIED COMPANY)

