

FULL HIGH DEFINITION 2MP IP PTZ CAMERA

VP-NC5392P-AZ25IR5X1
IR Night Vision High Speed PTZ Dome Camera



FEATURES

- Full High Definition 2MP (1920 x 1080) resolution
- 1/2.8" Progressive Scan CMOS Sensor
- 25x Optical zoom
- 360° endless panning
- Inbuilt IR LEDs for 100 mtrs IR range
- Support H.265/H.264 video compression
- Inbuilt WDR, 3D DNR, HLC, Defog, EIS & BLC functions
Regional Exposure, Regional Focus
- IP66 Weather proof outdoor enclosure



1/2.8"
Progressive
Scan CMOS Sensor



Backlight
Compensation



Triple
Stream



Privacy
Zone



360°
Endless Panning

TECHNICAL SPECIFICATIONS

VP-NC5392P-AZ25IR5X1

Camera	Image sensor	1/2.8" Progressive Scan CMOS Sensor
	Signal System	PAL/NTSC
	Effective Pixels	1920 (H) × 1080(V)
	Minimum Illumination	Color: 0.005Lux@(F1.6, AGC ON); B/W: 0.001Lux@(F1.6, AGC ON); 0 Lux with IR
	Electronic Shutter Speed	1/1 s to 1/30,000 s
	Signal to Noise	> 52 dB
	Gain Control	Auto / Manual
	White Balance	Auto,Manual,ATW,Indoor,Outdoor,Daylight lamp,Sodium lamp
Lens	Lens Type	4.8 ~ 120 mm
	Angle of View	57.6 ~ 2.5 degree (Wide-Tele)
	Focus	Auto
	Zoom	25x Optical Zoom, 16x Digital Zoom
	Zoom Speed	Approx. 3.6 s (optical lens, wide-tele)
	Aperture Range	F1.6 ~ F3.5
Compression	Video compression	H.265, H.264, MJPEG
	H.265 codec profile	Baseline Profile/Main Profile/High Profile
	Video Bit Rate	32 Kbps to 16384 Kbps
	Audio compression	G.711alaw/ G.711ulaw/ G.722.1/ G.726/ MP2L2/ PCM
	Audio Bit Rate	G.711alaw/G.711ulaw: 64 Kbps; G.722.1/G.726: 16 Kbps; MP2L2/ PCM: 32 Kbps/64 Kbps/128 Kbps
Resolution and Frame Rate	Max. Resolution	1920 x 1080
	Main Stream	50Hz: 25 fps (1920×1080,1280×960,1280×720), 50fps (1280×960,1280×720) 60Hz: 30 fps (1920×1080,1280×960,1280×720), 60fps (1280×960,1280×720)
	Sub/Third Stream	50Hz: 25 fps (1920×1080,1280×960,1280×720,704×576, 640×480, 353×288) 60Hz: 30 fps (1920×1080,1280×960,1280×720,704×480, 640×480, 353×288)
Day/Night Functionality	Day & Night	True Day & Night with ICR
	IR Cut	High performance Mechanical IR Cut Filter with auto switch
	IR Source	Inbuilt High performance IR LEDs
	IR Range	Up to 100 Mtrs
Pan-Tilt	Pan Angle	360° endless pan rotation
	Tilt Angle	-15° to 90° (Auto Flip)
	Pan Speed	0.1° ~ 80°/s(Manual), 80°/s(Preset)
	Tilt Speed	0.1° ~ 80°/s(Manual), 80°/s(Preset)
	Presets	300
	Proportional Zoom	Support
	Patrol	8 patrols, up to 32 presets per patrol
	Tour Pattern	4 Tour patterns
	Power-off Memory	Supported
	PTZ position display	Supported
	3D Positioning	Supported
	Park Action / Schedule Task	Preset/Pattern Scan/Patrol Scan/Auto Scan/Tilt Scan/Random Scan/Frame Scan/Panorama Scan/Reboot/Adjust/Aux Output
Operational Features	Image Enhancement	EIS/Regional Exposure/Regional Focus
	Backlight Compensation	Supported
	Camera ID	On/Off
	Privacy Masking	Up to 24 masks,polygon region,mosaic mask,mask color configurable
	Remote Operation	Supports,
	Video Adjustment	PTZ Controlling Supported
	WDR	120 dB
	Protocols	PELCO-P, PELCO-D, Multi protocol support
	Baud Rate	2400/4800/9600bps

TECHNICAL SPECIFICATIONS

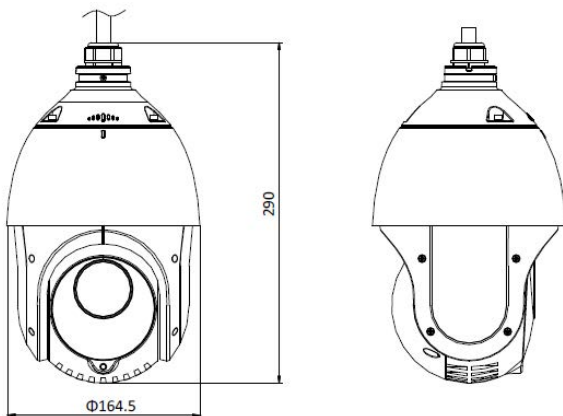
VP-NC5392P-AZ25IR5X1

	DNR	Inbuilt 3D DNR (Digital Noise Reduction) circuit
	HLC	Supported
	ROI	Supported , 4 regions
	Defog	Supported
	Codec streaming capability	Triple streaming
	Security	User authentication (ID and PW), Host authentication (MAC address); IEEE 802.1x port-based network access control; IP address filtering
Network & Remote Monitoring	Protocols	IPv4/IPv6,HTTP,HTTPS,802.1x,Qos,FTP,SMTP,UPnP,SNMP,DHCP DNS,DDNS,NTP,RTSP,RTCP,RTP,TCP/IP,UDP,IGMP,ICMP,PPPoE
	System compatibility	ONVIF (Profile S, Profile G, Profile T)
	Web Browser	IE 8 to 11, Chrome 57+, Firefox 52+, Safari 12+
	User Access	20 users online with professional authority management
	Mobile Client Application	Supports android and iOS APP for Smart phone and tablets
	Bandwidth control	VBR (Automatic) and CBR (Manual) supported
	Network storage	Built-in memory card slot, support Micro SD/SDHC/SDXC, up to 256 GB; NAS (NPS, SMB/ CIFS), ANR
Interface	Ethernet	1 RJ45 10/100 Ethernet port
	Alarm	1-ch alarm input and 1-ch alarm output
	Audio	1-ch audio input and 1-ch audio output
Analytics Feature	Smart Features	Intrusion Detection, Line Crossing Detection, Region Entrance Detection, Region Exiting Detection, Object Removal Detection, Unattended Baggage Detection, Motion Detection, Video Tampering Detection, Exception Detection
Electrical	Power Source	Standard 12 VDC and PoE+ (802.3 at, class4)
	Power Consumption	Max. 24 W, including max. 9 W for supplement light
Environmental	Enclosure	IP66 Standard, TVS 4000V Lightning Protection, Surge Protection and Voltage Transient Protection
	Operating Temperature	-30°C to +65°C
	Operating Humidity	90% or less (non-condensing)
Mechanical	Color	White
	Dimensions	Φ 164.5 mm × 290 mm
	Weight	Approx. 2 kg
Certification	Certification	UL, CE, FCC, RoHS

*Exact products and specifications shown may vary by geographic region and are subject to change without notice. Weights and measurements are approximate and may vary.

DIMENSIONS

Unit: mm



VANTAGE INTEGRATED SECURITY SOLUTIONS LIMITED

B3, Bredon House 321, Tenttenhall Road Tettenhall, Wolverhampton

West Midlands, WV6 0JZ United Kingdom

Ph: +44-1902793383, Email: sales@vantagesecurity.com

www.vantagesecurity.com

(AN ISO 9001 : 2008, ISO14001 : 2004 CERTIFIED COMPANY)

