

FULL HIGH DEFINITION 2 MP IP BULLET CAMERA

VP-NC5282B-F6IR2X1 ULTRA-LOW LIGHT BULLET CAMERA



FEATURES

- Full High Definition 2 MP(1920 x 1080) resolution
- 1/2.8" Progressive Scan CMOS Sensor
- Triple-Stream(H.264+/H.264/MPEG4/MJPEG) supported
- Onboard SD card slot up to 128GB support
- 120dB True WDR, 3D DNR and BLC functions
- Supports Slow Shutter and 60 FPS
- Supports Smart Analytics
- IP67 Weather Proof Outdoor Enclosure



TECHNICAL SPECIFICATIONS

VP-NC5282B-F6IR2X1

Camera	Image sensor	1/2.8" Progressive Scan CMOS Sensor
	Signal System	PAL/NTSC
	Effective Pixels	1920 (H) x 1080 (V)
	Minimum Illumination	Color: 0.005 Lux @ (F1.2, AGC ON), 0 Lux at IR on
	Electronic Shutter Speed	1/3s to 1/100,000s
	Gain Control	Auto
	White Balance	Auto
	Signal to Noise	> 52 dB
	Slow Shutter	Supported
Lens	Lens Type	6mm Fixed Lens
	Lens Mount	Φ14
	Focus	Fixed
	FOV	Horizontal field of view: 52°
Day/Night Functionality	Day & Night	True Day & Night with ICR
	IR Cut	High performance Mechanical IR Cut Filter with auto switch
	IR Source	Inbuilt Smart Array IR with intensity control
	IR Range	Up to 50 Mtr.
Compression	Video compression	H.265+/ H.265/ H.264+/ H.264/ MJPEG
	H.265 codec profile	Baseline Profile/Main Profile/High Profile
	Video Bit Rate	32 Kbps ~ 16 Mbps
Resolution and Frame Rate	Max. Resolution	1920 x 1080
	Frame rate	50Hz: 50fps (1920 x 1080, 1280 x 960, 1280 x 720) 60Hz: 60fps (1920 x 1080, 1280 x 960, 1280 x 720)
	Sub Stream	50Hz: 25fps (704 x 576, 640 x 480, 352 x 288) 60Hz: 30fps (704 x 480, 640 x 480, 352 x 240)
	Third Stream	50Hz: 25fps (1920 x 1080, 1280 x 720, 640 x 480, 352 x 288) 60Hz: 30fps (1920 x 1080, 1280 x 720, 640 x 480, 352 x 288)
Operational Features	Wide Dynamic Range (WDR)	120dB
	Backlight compensation	Yes, zone configurable
	DNR	Inbuilt 3D DNR (Digital Noise Reduction) circuit
	Defog	Supported
	EIS	Supported
	Day/Night Switch	Auto/Scheduled
	Privacy mask	Supported
	Codec streaming capability	Triple streaming
	Image settings	Rotate mode, Saturation, brightness, contrast, sharpness adjustable through client software or web browser
	ROI (Region of Interest)	Support 4 fixed region for each stream, and dynamic tracking
	Security	One-key reset, anti-flicker,heartbeat, password, anonymous access , watermark, IP address filter, mirror, user authentication
	Onboard Storage	Built-in Micro SD / SDHC / SDXC card slot, up to 128 GB, NAS (NFS,SMB/CIFS), ANR
	Alarm trigger	Road traffic, motion detection, video tampering alarm, network disconnected, IP address conflict, illegal login, HDD full, HDD error
Network & Remote Monitoring	Protocols	TCP/IP, ICMP, HTTP, HTTPS, FTP, DHCP, DNS, DDNS, RTP, RTSP, RTCP, PPPoE, NTP, UDP,UPnP,SMTP,SNMP,IGMP,802.1X,QoS
	System compatibility	ONVIF (PROFILE S, PROFILE G)

TECHNICAL SPECIFICATIONS

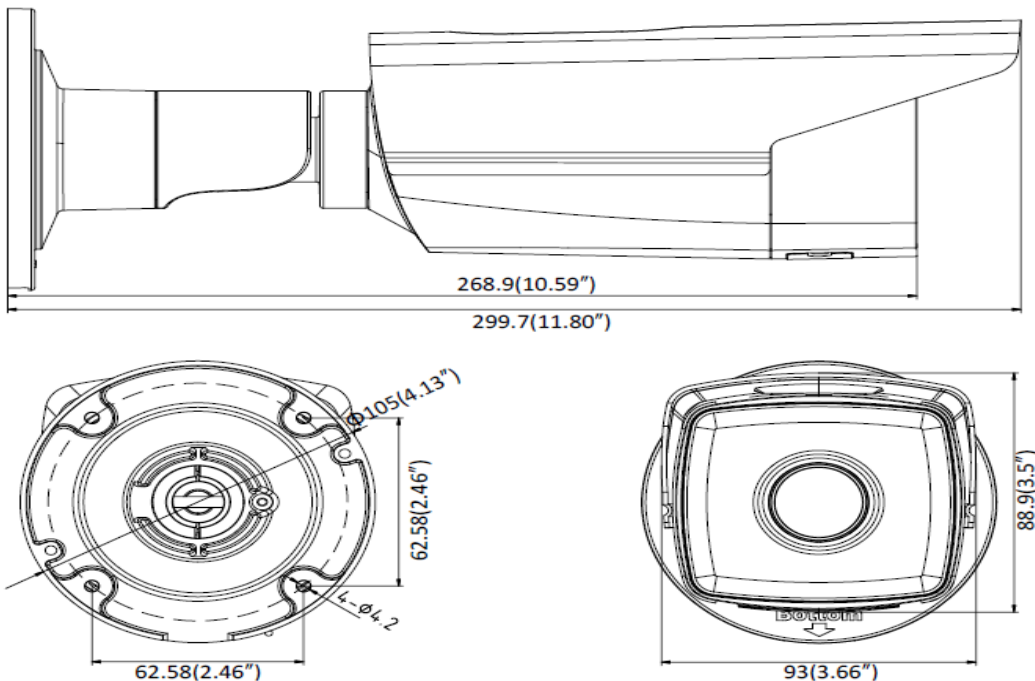
VP-NC5282B-F6IR2X1

	CMS	Full function CMS (Central monitoring software)
	Mobile Client Application	Supports android and iOS APP for Smart phone and tablets
	Bandwidth control	Supported
	Network Storage	CMS/NVR
Analytics	Smart Analytics	Line crossing detection, intrusion detection, unattended baggage detection, object removal detection, Face Detection
Interface	Ethernet	1 RJ45 10/100 Ethernet port
	Power Input	Standard DC Jack
Electrical	Power Requirement	12 VDC \pm 10% , PoE (802.3af)
	Power Consumption	Max 9 W
Environmental	Enclosure	IP67 Weather Proof Outdoor enclosure
	Mounting bracket	Integrated mounting bracket with cable management
	Operating Temperature	-20°C to + 60°C
	Operating Humidity	95% or less (non-condensing)
Mechanical	Color	White
	Dimensions	348.38 x 114.18 x 111.73 mm
	Weight	Approx. 2075 g
Certifications	Certifications	UL, CE, FCC, RoHS

*Exact products and specifications shown may vary by geographic region and are subject to change without notice. Product image, weights and measurements are approximate and may vary.

DIMENSIONS

Unit: mm



VANTAGE INTEGRATED SECURITY SOLUTIONS LIMITED

B3, Bredon House 321, Tenttenhall Road Tettenhall, Wolverhampton

West Midlands, WV6 0JZ United Kingdom

Ph: +44-1902793383, Email: sales@vantagesecurity.com

www.vantagesecurity.com

(AN ISO 9001 : 2008, ISO14001 : 2004 CERTIFIED COMPANY)

