

FULL HIGH DEFINITION 2MP IP PTZ Camera

VP-NC5192P-A32IR6X1 IR Night Vision High Speed PTZ Dome Camera



FEATURES

- Full High Definition 2MP (1920 x 1080) resolution
- Supports H.265+/H.265 video compression
- Inbuilt 120DB True WDR, 3D DNR, HLC & BLC functions
- Built-in Wiper
- 36x Optical zoom
- 360° endless panning
- Inbuilt IR LEDs for 500 mtrs Laser IR range
- Smart Tracking and Perimeter Protection
- IP67 Weather proof outdoor enclosure



TECHNICAL SPECIFICATIONS

VP-NC5192P-A32IR6X1

Camera	Image sensor	1/1.9" Progressive Scan CMOS Sensor
	Signal System	PAL/NTSC
	Effective Pixels	1920 (H) x 1080 (V)
	Minimum Illumination	Color: 0.002 Lux @(F1.5, AGC ON) B/W:0.0002 Lux @(F1.5, AGC ON): 0 Lux with Laser
	Electronic Shutter Speed	1/1 s to 1/30,000 s
	Signal to Noise	> 52 dB
	Gain Control	Auto / Manual
	White Balance	Auto/Manual/ATW/Indoor/Outdoor/Daylight lamp/Sodium lamp
Lens	Lens Type	5.7mm to 205.2 mm
	Angle of View	59.8° to 2.0° (Wide-Tele)
	Focus	Auto/Semi-automatic/Manual/Rapid focus/ Regional Focus
	Zoom	36x Optical Zoom
	Zoom Speed	Approx. 4.4 s (optical lens, wide-tele)
	Aperture Range	F1.5 to F4.5
Compression	Video compression	H.265+/ H.265 / H.264+/ H.264 / MJPEG
	Audio compression	G.711alaw/ G.711ulaw/ G.722.1/ G.726/ MP2L2/ PCM
	H.265 codec profile	Main profile
Resolution and Frame Rate	Max. Resolution	1920 x 1080
	Main Stream	50Hz: 25fps (1920 x 1080, 1280 x 960, 1280 x 720) 50fps (1920 x1080, 1280 x 960, 1280 x 720) 60Hz: 30fps (1920 x 1080, 1280 x 960, 1280 x 720) 60fps (1920 x1080, 1280 x 960, 1280 x 720)
	Sub Stream	50Hz: 25fps (704 x 576, 640 x 480, 352 x 288) 60Hz: 30fps (704 x 480, 640 x 480, 352 x 240)
	Third Stream	50Hz: 25fps (1920 x 1080, 1280 x 960, 1280 x 720, 704 x 576, 640 x 480, 352 x 288) 60Hz: 30fps (1920 x 1080, 1280 x 960, 1280 x 720, 704 x 480, 640 x 480, 352 x 240)
Day/Night Functionality	Day & Night	True Day & Night with ICR
	IR Cut	High performance Mechanical IR Cut Filter with auto switch
	IR Source	Inbuilt High performance Smart Supplement Light LEDs
	IR Range	Up to 500 Mtrs Laser IR
Pan-Tilt	Pan Angle	360° endless pan rotation
	Tilt Angle	-20° to 90° (Auto Flip)
	Pan Speed	0.1° ~ 210°/s(Manual), 0.1° ~ 280°/s(Preset)
	Tilt Speed	0.1° ~ 150°/s(Manual), 0.1° ~ 250°/s(Preset)
	Presets	300
	Patrol	8 patrols, up to 32 presets per patrol
	Tour Pattern	4 Tour patterns
	Power-off Memory	Supported
	PTZ position display	Supported
	Preset Freezing	Supported
	Scheduled Task / Park Action	Preset/Pattern Scan/Patrol Scan/Auto Scan/Tilt Scan/Random Scan/Frame Scan/Panorama/Dome Reboot/Dome Adjust/Aux Output
	Proportional Zoom	Supported

TECHNICAL SPECIFICATIONS

VP-NC6202P-AZ36IR8LVX1

Operational Features	ROI	Eight region in each stream
	Simultaneous Live view	Up to 20 Channels
	Privacy Masking	24 programmable polygon privacy masks
	Alarm Linkage	Alarm actions, such as Preset, Patrol Scan, Pattern Scan, Memory Card Video Record, Trigger Recording, Notify Surveillance Center, Upload to FTP/Memory Card/NAS, Send Email, etc.
	Digital Zoom	16x zoom
	Image Enhancement	HLC/BLC/3D DNR/Optical Defog/ EIS / Regional Exposure/ Regional Focus
	Video Adjustment	Supported
	WDR	120dB
	Protocols	PELCO-P, PELCO-D, Multi protocol support
	Baud Rate	2400/ 4800/ 9600bps
	DNR	Inbuilt 3D DNR (Digital Noise Reduction) circuit
	Codec streaming capability	Triple streaming
	Image settings	Rotate mode, Saturation, brightness, contrast, sharpness adjustable through client software or web browser
	Security	User authentication (ID and PW), Host authentication (MAC address) HTTPS encryption, IEEE 802.1x port-based network access control IP address filtering
	Onboard Storage	Built-in memory card slot, support Micro SD/SDHC/SDXC, up to 256 GB
Network & Remote Monitoring	Protocols	IPv4/IPv6, HTTP, HTTPS, 802.1x, Qos, FTP, SMTP, UPnP, SNMP, DNS, DDNS, NTP, RTSP, RTCP, RTP, TCP/IP, DHCP, PPPoE
	System compatibility	ONVIF
	CMS	Full function CMS (Central monitoring software)
	User Access	32 users online with professional authority management
	Mobile Client Application	Supports android and iOS APP for Smart phone and tablets
	Bandwidth control	VBR (Automatic) and CBR (Manual) supported
	Network storage	NAS (NPS, SMB/ CIPS), ANR
Interface	Ethernet	1 RJ45 10/100 Ethernet port
	Audio Input / Output	1-ch audio input (applicable microphone, plug-in power type), 2 to 2.4 V[p-p], 1 K Ω \rightarrow 10%, 1-ch audio output, line level, impedance: 600 Ω
	Alarm Input/ Output	7/ 2
	CVBS	Supported
Smart Analytics	Smart Features	Intrusion, Line Crossing, Region Entrance, Region Exiting Support alarm triggering by specified target types (human and vehicle) Filtering out mistaken alarm caused by target types such as leaf, light, animal, and flag, etc.
	Event Detection	Audio Exception, Unattended Baggage, Object Removal & Face Detection
	Smart Tracking	Manual Tracking, Auto Tracking (support tracking specified target types such as human and vehicle), Event Tracking
Electrical	Power Requirement (\pm 10%)	24 VAC / High-PoE
	Power Consumption	MAX. 60W

TECHNICAL SPECIFICATIONS

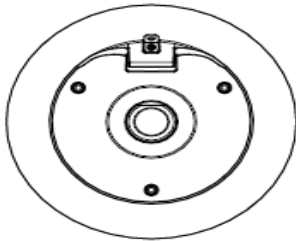
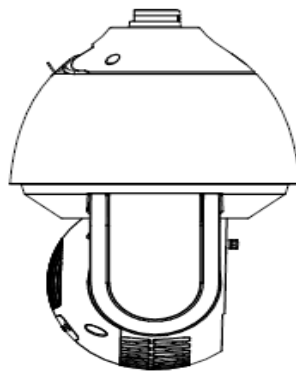
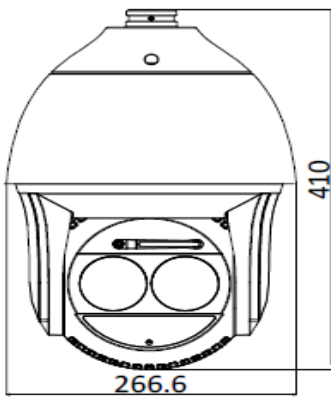
VP-NC5192P-A32IR6X1

Environmental	Enclosure	IP67, TVS 6,000V Lightning Protection, Surge Protection and Voltage Transient Protection
	Impact Protection	IK10
	Operating Temperature	-40°C to +70°C
	Operating Humidity	90% or less (non-condensing)
Mechanical	Color	White
	Dimensions	Φ 266.6 mm x 410 mm
	Weight	Approx. 8 kg
Certification	Certification	BIS, UL, CE, FCC, RoHS

*Exact products and specifications shown may vary by geographic region and are subject to change without notice. Product image, weights and measurements are approximate and may vary.

DIMENSIONS

Unit: mm



Unit: mm

VANTAGE INTEGRATED SECURITY SOLUTIONS LIMITED

B3, Bredon House 321, Tenttenhall Road Tettenhall, Wolverhampton

West Midlands, WV6 0JZ United Kingdom

Ph:+44-1902793383, Email: sales@vantagesecurity.com

www.vantagesecurity.com

(AN ISO 9001 : 2008, ISO14001 : 2004 CERTIFIED COMPANY)

