

ULTRA HIGH DEFINITION 6MP IP BOX CAMERA

VP-NC5146S-AF0X1
CS MOUNT SMART CAMERA (Lens not included)



FEATURES

Ultra High Definition 6MP (3072 x 2048) resolution

1/1.8" Progressive Scan CMOS

Five-Stream (H.265+/H.265,H.264+/H.264/MJPEG) supported

Inbuilt Smart analytics for Line crossing detection, intrusion detection, Face detection, region entrance detection

Onvif Supported

140dB WDR Supported

Auto Back Focus & P-IRIS (Optional)



1/1.8"
Progressive
Scan CMOS Sensor



140dB
WDR



SD Card



EIS



Face
Detection

TECHNICAL SPECIFICATIONS

VP-NC5146S-AFOX1

Camera	Image sensor	1/1.8" Progressive Scan CMOS
	Signal System	PAL/NTSC
	Effective Pixels	3072 (H) x 2048 (V)
	Minimum Illumination	Color : 0.009 Lux @ (F1.2, AGC ON),B/W: 0.0002 Lux @ (F1.2, AGC ON)
	Electronic Shutter Speed	1 s to 1/100,000 s
	IRIS	Auto, P-IRIS
Lens	Lens Mount	C/CS mount
	Focus	Auto back focus
Compression	Video compression	H.265+/H.265/H.264+/H.264/MJPEG
	H.265 codec profile	Main profile
	Video Bit Rate	32Kbps to 16 Mbps
	Audio compression	G.711/G.722.1/G.726/MP2L2/PCM
	Audio Bit Rate	64 Kbps (G.711)/16 Kbps (G.722.1)/16 Kbps (G.726)/32-192 Kbps (MP2L2)/128-768 Kbps (PCM)
Resolution and Frame Rate	Max. Resolution	3072 x 2048
	Main Stream	50Hz:25fps (3200x1800, 3027x2048, 2560x1440, 1920x1080) 60Hz: 30fps (3200x1800, 3027x2048, 2560x1440, 1920x1080)
	Third Stream	50Hz: 25fps (1920 x 1080, 1280 x 720, 704 x 576, 640 x 480) 60Hz: 30fps (1920 x 1080, 1280 x 720, 704 x 480, 640 x 480)
	Fourth Stream	50Hz: 25fps (1920 x 1080, 1280 x 720, 704 x 576, 640 x 480) 60Hz: 30fps (1920 x 1080, 1280 x 720, 704 x 480, 640 x 480)
	Fifth Stream	50Hz: 25fps (704 x 576, 640 x 480) 60Hz: 30fps (704 x 480, 640 x 480)
Operational Features	Wide Dynamic Range (WDR)	120dB
	Backlight compensation	Supported
	DNR	Inbuilt 3D DNR (Digital Noise Reduction) circuit
	High Light Compensation	Supported
	Defog	Supported
	EIS	Supported
	Face Detection	Supported
	Picture overlay	128 x 128, BMP 24bit, zone configurable
	Codec streaming capability	Five streams + 5 Custom Streams
	Image settings	Rotate mode, Saturation, brightness, contrast, sharpness adjustable through client software or web browser
	Security	Password protection, HTTPS encryption, IEEE 802.1x port-based network access control, IP address filter, basic and digest authentication for HTTP/HTTPS, WSSE and digest authentication for ONVIF
	Onboard Storage	Built-in Micro SD / SDHC / SDXC card slot, up to 256GB
	Alarm trigger	Motion detection, video tampering alarm, network disconnected, IP address conflict, illegal login,HDD full, HDD error
Network & Remote Monitoring	Protocols	TCP/IP, ICMP, HTTP, HTTPS, FTP, DHCP, DNS, DDNS, RTP, RTSP, RTCP, PPPoE, NTP, UPnP, SMTP,SNMPV1, IGMP, 802.1X, QoS, IPv6, IPv6,UDP, Bonjour
	System compatibility	ONVIF (PROFILE S, PROFILE G), ISAPI, SDK
	CMS	Full function CMS (Central monitoring software)
	Mobile Client Application	Supports android and iOS APP for Smart phone and tablets
	Bandwidth control	VBR (Automatic) and CBR (Manual) supported
Network Storage	NAS (NFS,SMB/CIFS), ANR	

TECHNICAL SPECIFICATIONS

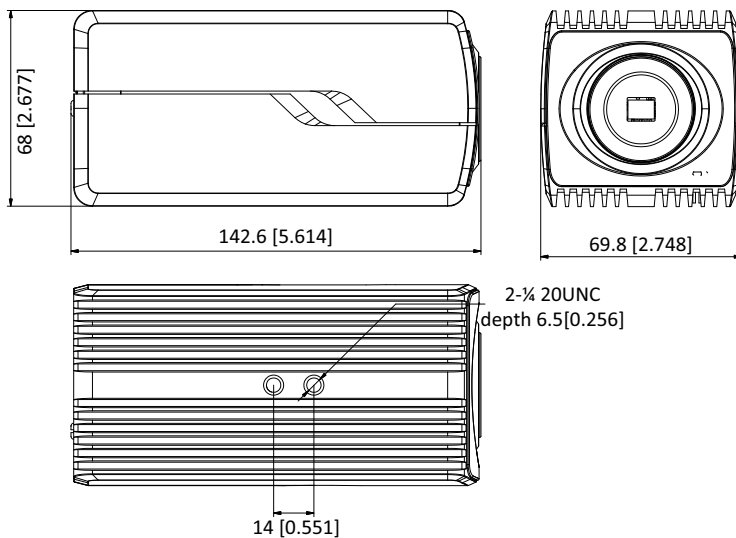
VP-NC5146S-AFOX1

Interface	Ethernet	1 RJ45 10/100/1000 Ethernet port
	Power Input	Standard DC Jack
	Audio Input	1
	Audio Output	1
	Alarm Input	2
	Alarm Output	2
	Video Output	1Vp-p composite output (75 Ω/CVBS)
	Communication Interface	1 RS-485 interface (half duplex, Pelco-P, Pelco-D, self-adaptive)
Analytics Feature	Smart Features	Line crossing detection, intrusion detection, region entrance detection, region exiting detection, unattended baggage detection, object removal detection, Scene change detection, audio exception detection, defocus detection, Counting Statistics
Electrical	Power Requirement ($\pm 10\%$)	12 VDC $\pm 20\%$, 24 VAC $\pm 20\%$, PoE (802.3af, class 3)
	Power Consumption	Max. 7 W
Environmental	Enclosure	Indoor Box Enclosure
	Operating Temperature	-30°C to + 60°C
	Operating Humidity	95% or less (non-condensing)
Mechanical	Color	White
	Dimensions	142.6 x 69.8 x 68 mm
	Weight	Approx. 730 g
Certifications	Certifications	UL, CE, FCC, RoHS

*Exact products and specifications shown may vary by geographic region and are subject to change without notice. Weights and measurements are approximate and may vary.

DIMENSIONS

Unit: mm



VANTAGE INTEGRATED SECURITY SOLUTIONS LIMITED

B3, Bredon House 321, Tenttenhall Road Tettenhall, Wolverhampton

West Midlands, WV6 0JZ United Kingdom

Ph: +44-1902793383, Email: sales@vantagesecurity.com

www.vantagesecurity.com

(AN ISO 9001 : 2008, ISO14001 : 2004 CERTIFIED COMPANY)

