

ULTRA HIGH DEFINITION 6MP IP DOME CAMERA

VP-NC5116D-AZIR2X1

IR NIGHT VISION SMART VARIFOCAL MOTORIZED ZOOM CAMERA



FEATURES

Ultra High Definition 6MP (3072 x 2048) resolution

Triple-Stream (H.264/MJPEG) supported

Inbuilt Smart analytics for Virtual Line detection, Virtual Plane Intrusion detection, Face detection, Line crossing detection, Missing Object/Unattended Object Detection

Advanced Intelligent functions like ROI(Region of interest) codec, Defog, EIS (Electronic Image Stabilization), Audio detection, Video quality detection: defocus & scene change

Vandal Proof IK10 Dome Enclosure

Inbuilt DWDR, 3D DNR, BLC and HLC functions

Onboard SD card slot up to 128GB support



Smart IR



SD Card



120db True
WDR



Vandal Proof



Defog

TECHNICAL SPECIFICATIONS

VP-NC5116D-AZIR2X1

Camera	Image sensor	1/1.8" Progressive Scan Sensor
	Signal System	PAL/NTSC
	Effective Pixels	3072 (H) x 2048 (V)
	Minimum Illumination	Color : 0.01Lux @ F1.2, 0.014 lux @ F1.4, B&W: 0 Lux at IR on
	Electronic Shutter Speed	1s ~ 1/100,000s
	Gain Control	Auto
	White Balance	Auto (2000K to 10000K)
	Signal to Noise	> 62 dB
	Auto Iris	DC Drive
Lens	Lens Type	Megapixel Motorized Zoom lens 2.8mm to 12mm,94.5 °~30.5°
	Lens Mount	φ14
	Focus	Auto
	Zoom	Motorized Optical Zoom Adjustment
Day/Night Functionality	Day & Night	True Day & Night with ICR
	IR Cut	High performance Mechanical IR Cut Filter with auto switch
	IR Source	Inbuilt Smart IR LEDs with intensity control
	IR Range	35 Mtr
	IR Life	40000 Operation Hours
Compression	Video compression	H.264 / MJPEG
	H.264 codec profile	Main profile
	Video Bit Rate	32 Kbps ~ 16 Mbps
	Audio compression	G.711 / G.726 / MP2L2
	Audio Bit Rate	64 Kbps (G.711) / 16 Kbps (G.726) / 32-128 Kbps (MP2L2)
Resolution and Frame Rate	Max. Resolution	3072 x 2048
	Frame rate	50 Hz: 24fps (3072 x 2048), 25fps (3072 x 1728,2560 x 1920, 2048 x 1536,1920 x 1080, 1280 x 720) 60 Hz: 24fps (3072 x 2048), 25fps (3072 x 1728,2560 x 1920, 2048 x 1536,1920 x 1080, 1280 x 720)
	Third Stream	50/60Hz:10fps@4CIF
Operational Features	Wide Dynamic Range (WDR)	DWDR
	Backlight compensation	Yes, zone configurable
	DNR	Inbuilt 3D DNR (Digital Noise Reduction) circuit
	Defog	Supported
	EIS	Supported
	Intrusion Detection	Supported
	Face Detection	Supported
	Line Crossing Detection	Supported
	Picture overlay	128 x 128, BMP 24bit, zone configurable
	Codec streaming capability	Triple streaming
	Image settings	Rotate mode, Saturation, brightness, contrast, sharpness adjustable through client software or web browser
	ROI (Region of Interest)	Yes, zone configurable upto 4 areas
	Security	User Authentication, watermark, reset button
	Onboard Storage	Built-in Micro SD / SDHC / SDXC card slot, up to 128 GB
	Alarm trigger	Motion Detection, Tampering Alarm
Network & Remote Monitoring	Protocols	TCP/IP, ICMP, HTTP, HTTPS, FTP, DHCP, DNS, DDNS, RTP, RTSP, RTCP, PPPoE, NTP, UPnP, SMTP, SNMP, IGMP, 802.1X, QoS, Ipv6, Bonjour (SIP optional)
	System compatibility	ONVIF, PSIA, CGI,ISAPI

TECHNICAL SPECIFICATIONS

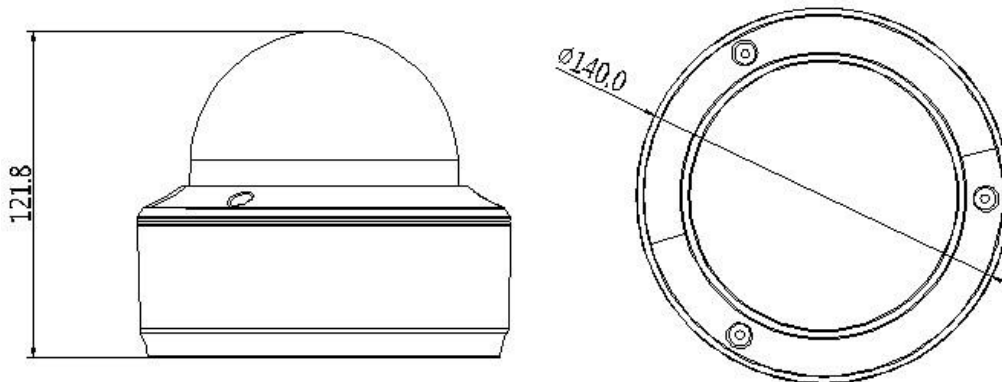
VP-NC5116D-AZIR2X1

	CMS	Full function CMS (Central monitoring software)
	Mobile Client Application	Supports android and iOS APP for Smart phone and tablets
	Bandwidth control	VBR (Automatic) and CBR (Manual) supported
	Network Storage	Local storage: Built-in Micro SD/SDHC/SDXC card slot, up to 128 GB, NAS
Interface	Ethernet	1 RJ45 10/100/1000 Ethernet port
	Power Input	Standard DC Jack
	Audio Input	1
	Audio Output	1
	Alarm Input	1
	Alarm Output	1
Electrical	Power Requirement ($\pm 10\%$)	12 VDC/24V AC / PoE (802.3af)
	Power Consumption	Max 12W on Motorized Zoom
Environmental	Enclosure	Vandal resistance metal dome enclosure
	Operating Temperature	-30°C to + 60°C
	Operating Humidity	95% or less (non-condensing)
	Impact Protection	IEC60068-2-75Eh, 50J; EN50102, up to Ik10
Mechanical	Color	White
	Dimensions	140 x 121.8 mm
	Weight	1400g
Certifications	Certifications	UL, CE, FCC, RoHS

*Exact products and specifications shown may vary by geographic region and are subject to change without notice. Weights and measurements are approximate and may vary.

DIMENSIONS

Unit: mm



VANTAGE INTEGRATED SECURITY SOLUTIONS LIMITED

B3, Bredon House 321, Tenttenhall Road Tettenhall, Wolverhampton

West Midlands, WV6 0JZ United Kingdom

Ph: +44-1902793383, Email: sales@vantagesecurity.com

www.vantagesecurity.com

(AN ISO 9001 : 2008, ISO14001 : 2004 CERTIFIED COMPANY)

