

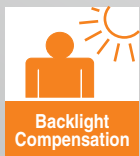
HIGH RESOLUTION 2MP IP BULLET CAMERA

VP-NC3822B-AZIR1X1 IR NIGHT VISION SMART MOTORIZED ZOOM CAMERA



FEATURES

- High definition (1920 × 1080) resolution supported
- Triple-Stream(H.265+,H.265,H.264+/H.264/MJPEG) supported
- 2.8-12mm Motorized Lens
- Onboard SD card slot up to 128GB support
- Inbuilt 120dB True WDR , 3D DNR and BLC functions
- Inbuilt Smart analytics for Line crossing detection, intrusion detection,Face Detection
- IP67 Weather Proof Outdoor Enclosure



TECHNICAL SPECIFICATIONS

VP-NC3822B-AZIR1X1

Camera	Image sensor	1/2.8" Progressive Scan CMOS Sensor
	Signal System	PAL/NTSC
	Effective Pixels	1920 (H) × 1080 (V)
	Minimum Illumination	Color: 0.01 Lux@ (F1.2, AGC ON), 0.0018 Lux @ (F1.4, AGC ON) 0 Lux with IR
	Electronic Shutter Speed	1/3 s to 1/100,000 s
	Gain Control	Auto
	Signal to Noise	> 52 dB
Lens	Lens Type	2.8mm to 12mm Motorized Lens
	Angle of View	(H) 104° to 31°,(V) 57° to 18°,(D) 136° to 36°
	Focus	Auto
	Aperture	F1.6
Day/Night Functionality	Day & Night	True Day & Night with ICR
	IR Cut	High performance Mechanical IR Cut Filter with auto switch
	IR Source	Inbuilt Smart IR with intensity control
	IR Range	Up to 50 Mtr.
Compression	Video compression	H.265+/H.265/H.264+ /H.264 / MJPEG
	H.265 codec profile	Main profile
	Video Bit Rate	32 Kbps to 16 Mbps
	Audio Compression	G722.1/ G711ulaw/ G711alaw/ G726/ MP2L2
	Audio Bit Rate	32 to 128kbps
Resolution and Frame Rate	Max. Resolution	1920 × 1080
	Main Stream	50Hz: 25fps (1920 × 1080, 1280 × 960, 1280×720) 60Hz: 30fps (1920 × 1080, 1280 × 960, 1280×720)
	Sub/ Third Stream	50Hz: 25fps (1920 × 1080, 1280×720, 640 × 360, 352 × 288) 60Hz: 30fps (1920 × 1080, 1280×720, 640 × 360, 352 × 240)
Operational Features	Wide Dynamic Range (WDR)	120dB
	BLC & HLC	Supported
	DNR	Inbuilt 3D DNR (Digital Noise Reduction) circuit
	Region of Interest	Supported
	Face Detection	Supported
	Codec streaming capability	Triple streaming
	Image settings	Rotate mode, saturation, brightness, contrast, DIS, sharpness Target Cropping adjustable by client software or web browser
	Security	One-key reset, anti-flicker, three streams, heartbeat, password protection, privacy mask, watermark, IP address filter
	Onboard Storage	Support Micro SD/SDHC/SDXC card slot (128G), local storage and NAS (NFS,SMB/CIFS), ANR
	Alarm trigger	Motion detection, video tampering alarm, network disconnected, IP address conflict, illegal login, SD card full, SD card error, Video Analytics, Alarm input, Alarm output
Network & Remote Monitoring	Protocols	TCP/IP, ICMP, HTTP, HTTPS, FTP, DHCP, DNS, DDNS, RTP, RTSP, RTCP, PPPoE, NTP, UPnP, SMTP, SNMP, IGMP, 802.1X, QoS, IPv4/ IPv6
	System compatibility	ONVIF (PROFILE S/ PROFILE G)

TECHNICAL SPECIFICATIONS

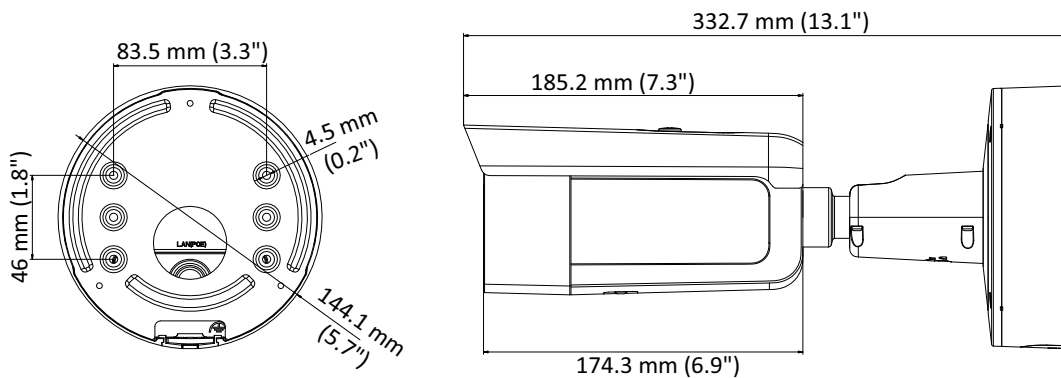
VP-NC3822B-AZIR1X1

	CMS	Full function CMS (Central monitoring software)
	Mobile Client Application	Supports android and iOS APP for Smart phone and tablets
	Bandwidth control	VBR (Automatic) and CBR (Manual) supported
	Network Storage	CMS/ NVR
Analytics Feature	Smart Features	Line crossing , Intrusion detection, Unattended baggage detection Object removal , Scene change detection,Audio Detection
Interface	Ethernet	1 RJ45 10M/100M self-adaptive Ethernet port
	Power Input	Standard DC Jack
	Video Output	1Vp-p composite output (75 Ω/BNC)
	Audio Input/Output	1 input (line in, 3.5 mm), 1 output(3.5 mm), mono sound
	Alarm Input/Output	1 input, 1 output (max. 12 VDC, 30 mA)
Electrical	Power Requirement	12 VDC \pm 25% , PoE (802.3at)
	Power Consumption	Max 14.5W
Environmental	Enclosure	IP67 Weather Proof Outdoor enclosure
	Impact Protection	Up to IK10
	Operating Temperature	-30°C to + 60°C
	Operating Humidity	95% or less (non-condensing)
Mechanical	Color	White
	Dimensions	Φ 144.13x332.73 mm
	Weight	1890 g
Certifications	Certifications	UL, CE, FCC, RoHS, BIS

*Exact products and specifications shown may vary by geographic region and are subject to change without notice. Product image, weights and measurements are approximate and may vary.

DIMENSIONS

Unit: mm



VANTAGE INTEGRATED SECURITY SOLUTIONS LIMITED

B3, Bredon House 321, Tenttenhall Road Tettenhall, Wolverhampton

West Midlands, WV6 0JZ United Kingdom

Ph:+44-1902793383, Email: sales@vantagesecurity.com

www.vantagesecurity.com

(AN ISO 9001 : 2008, ISO14001 : 2004 CERTIFIED COMPANY)

