

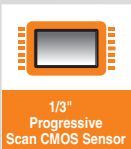
HIGH DEFINITION 4MP IP DOME CAMERA

VP-NC3584D-F3IR1X1 IR NIGHT VISION FIXED CAMERA



FEATURES

- High Definition 4MP (2688 × 1520) resolution
- 1/3" Progressive Scan CMOS sensor
- H.264+ video compression technology with real time encoding
- High performance IR Cut mechanical filter for True & Night Vision
- Inbuilt DWDR , 3D DNR, BLC, ROI functions
- Smart IR with intensity control
- PoE (Power over Ethernet) supported
- IP67 Water proof outdoor enclosure



TECHNICAL SPECIFICATIONS

VP-NC3584D-F3IR1X1

Camera	Image sensor	1/3" Progressive Scan CMOS sensor
	Signal System	PAL/NTSC
	Effective Pixels	2688 x 1520
	Minimum Illumination	Color: 0.01Lux @(F1.2,AGC ON), 0 Lux at IR on
	Electronic Shutter Speed	1/3s to 1/100,000 s
	Gain Control	Auto
	White Balance	Auto
	Signal to Noise	> 52 dB
Lens	Lens Type	3.6 mm fixed lens (4mm/6mm optional)
	Lens mount	M12
Day/Night Functionality	Day & Night	True Day & Night with ICR
	IR Cut	High performance Mechanical IR Cut Filter with auto switch
	IR Source	Inbuilt Smart IR LEDs with intensity control
	IR Range	30 Mtr
Compression	Video compression	H.264+, H.264, MJPEG
	H.264 Type	Main Profile/High profile
	Video Bit Rate	32 Kbps ~ 16 Mbps
Resolution and Frame Rate	Max. Resolution	2688 x 1520
	Main Stream	50Hz: 20fps @(2688 x 1520),20fps @(2304 x 1296), 25fps @ (1920 x 1080, 1280 x 720) 60Hz:20fps @(2688 x 1520),20fps @(2304 x 1296), 30fps @ (1920 x 1080, 1280 x 720)
	Sub-stream	50Hz: 25fps @(640 x 360, 352 x 288) 60Hz: 30fps @(640 x 360, 352 x 240)
Operational Features	Wide Dynamic Range	DWDR
	Backlight compensation	Supported
	ROI	Supports 1 fixed region
	Mirror	Supported
	DNR	Inbuilt 3D DNR (Digital Noise Reduction) circuit
	Codec streaming capability	Dual streaming
	Motion Detection	Supported
	Image settings	Brightness, saturation, contrast, sharpness are adjustable via web browser or client software
	Security	Anti-flicker,heartbeat, mirror, password protection, privacy mask, watermark, IP address filter
	Alarm trigger	Video tampering, network disconnected, IP address conflicted
Network & Remote Monitoring	Protocols	TCP/IP, ICMP, HTTP, HTTPS, FTP, DHCP, DNS, DDNS, RTP, RTSP, RTCP, NTP, UPnP, SMTP, IGMP,802.1X, QoS, IPv6, Bonjour
	System compatibility	ONVIF (PROFILE S, PROFILE G)
	CMS	Full function CMS (Central monitoring software)
	Mobile Client Application	Supports android and iOS APP for Smart phone and tablets
	Bandwidth control	VBR (Automatic) and CBR (Manual) supported
Network storage	NAS (NFS,SMB/CIFS)	

TECHNICAL SPECIFICATIONS

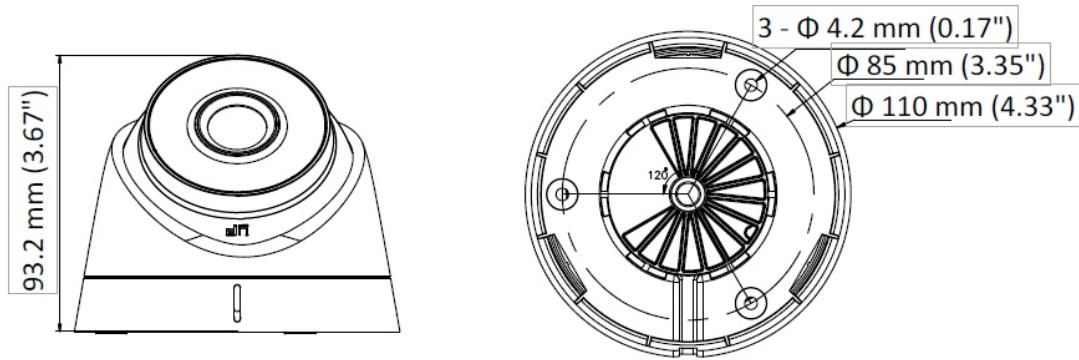
VP-NC3584D-F3IR1X1

Interface	Ethernet	1 RJ45 10/100 Ethernet port
	Power Input	Standard DC Jack
Electrical	Power Requirement	12 VDC \pm 25% , PoE (802.3af)
	Power Consumption	Max. 4 W/6 W (PoE)
Environmental	Enclosure	IP 67 Water proof indoor enclosure
	Operating Temperature	-30°C to + 60°C
	Operating Humidity	95% or less (non-condensing)
Mechanical	Color	White
	Dimensions	Φ 110 mm \times 93.2 mm
	Weight	570 g
Certifications	Certifications	UL,CE, FCC, RoHS

*Exact products and specifications shown may vary by geographic region and are subject to change without notice. Product image, weights and measurements are approximate and may vary.

DIMENSIONS

Unit: mm



VANTAGE INTEGRATED SECURITY SOLUTIONS LIMITED

B3, Bredon House 321, Tenttenhall Road Tettenhall, Wolverhampton

West Midlands, WV6 0JZ United Kingdom

Ph: +44-1902793383, Email: sales@vantagesecurity.com

www.vantagesecurity.com

(AN ISO 9001 : 2008, ISO14001 : 2004 CERTIFIED COMPANY)

