

# FULL HIGH DEFINITION 4MP IP DOME CAMERA

# VP-NC3084D-ZIRX1 IR NIGHT VISION MOTORIZED CAMERA



## FEATURES

Full High Definition 4MP Resolution

1/3" Progressive Scan CMOS Sensor

High performance IR Cut mechanical filter for True Day & Night vision

Inbuilt 120dB True WDR, 3D DNR & BLC functions

2.8mm to 12mm Motorized Lens

ONVIF supported

Onboard SD card slot up to 128GB support

Vandal Proof IK10 Dome Enclosure



## TECHNICAL SPECIFICATIONS

### VP-NC3084D-ZIRX1

Camera	Image sensor	1/3" Progressive Scan CMOS Sensor
	Signal System	PAL/ NTSC
	Effective Pixels	2560 (H) × 1440 (V)
	Minimum Illumination	Color : 0.01 Lux @(F1.2, AGC ON), 0 lux with IR On
	Electronic Shutter Speed	1/3 s to 1/100, 000 s, support slow shutter
	Gain Control	Auto
	White Balance	Auto
	Signal to Noise	< 52 dB
Lens	Lens Type	2.8mm to 12mm @ F1.4 Motorized Lens
	Lens Mount	φ 14
	Zoom	Motorized Optical Zoom Adjustment
	Focus	Auto
	FOV	H field of view: 90° to 28°, V field of view: 51° to 16°, D field of view: 115° to 32°
Day/Night Functionality	Day & Night	True Day & Night with ICR
	IR Cut	High performance Mechanical IR Cut Filter with auto switch
	IR Source	Inbuilt Smart IR LEDs with intensity control
	IR Range	30 Mtr
Compression	Video compression	H.265/H.264 /MJPEG
	H.265 codec profile	Main profile
	Video Bit Rate	32 Kbps ~ 8 Mbps
Resolution and Frame Rate	Max. Resolution	2560 × 1440
	Main Stream	50Hz: 20fps (2560 × 1440), 25fps (2304 × 1296, 1920 × 1080, 1280 × 720) 60Hz: 30fps (2560 × 1440), 30fps (2304 × 1296, 1920 × 1080, 1280 × 720)
	Sub Stream	50Hz: 25fps (640 × 480, 640 × 360, 320 × 240) 60Hz: 30fps (640 × 480, 640 × 360, 320 × 240)
Operational Features	Wide Dynamic Range (WDR)	120dB
	Backlight compensation	Supported
	DNR	Inbuilt 3D DNR (Digital Noise Reduction) circuit
	Image settings	Brightness, saturation, contrast, sharpness are adjustable via web browser or client software
	ROI (Region of Interest)	1 fixed region for main stream and sub-stream
	Security	One-key reset, anti-flicker, heartbeat, mirror, password protection, privacy mask, watermark, IP address filter
	Alarm trigger	Motion detection, video tampering alarm, network disconnected, IP address conflicted, illegal login
Network & Remote Monitoring	Protocols	TCP/IP, ICMP,HTTP,HTTPS, FTP,DHCP,DNS, DDNS, RTP, RTSP, RTCP, PPPoE,NTP,UPnP, SMTP,SNMP, IGMP,802.1X, QoS,IPv6,UDP
	System compatibility	ONVIF (PROFILE S, PROFILE G)
	CMS	Full function CMS ( Central monitoring software)
	Mobile Client Application	Supports android and iOS APP for Smart phone and tablets
	Bandwidth control	VBR (Automatic) and CBR (Manual) supported
	Network storage	Built-in Micro SD / SDHC / SDXC card slot, up to 128 GB, NAS (NFS,SMB/CIFS), ANR
Interface	Ethernet	1 × RJ45 10/100 Ethernet port
	Power Input	Standard DC Jack

## TECHNICAL SPECIFICATIONS

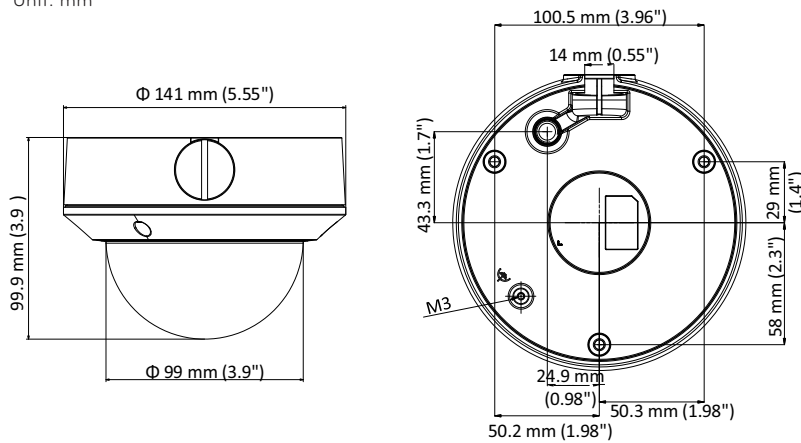
### VP-NC3084D-ZIRX1

Electrical	Power Requirement	12 VDC $\pm$ 10% , PoE (802.3af)
	Power Consumption	Max. 10W
Environmental	Enclosure	IP67 TVS 2000V lightning protection, surge protection & voltage transient protection
	Operating Temperature	-30°C to + 50°C
	Operating Humidity	95% or less (non-condensing)
	Impact Protection	IK10
Mechanical	Color	White
	Dimensions	$\Phi$ 141 mm $\times$ 99.9 mm
	Weight	Approx. 820 g
Certifications	Certifications	UL, CE, FCC, RoHS

\*Exact products and specifications shown may vary by geographic region and are subject to change without notice. Product image, weights and measurements are approximate and may vary.

## DIMENSIONS

Unit: mm



## VANTAGE INTEGRATED SECURITY SOLUTIONS LIMITED

B3, Bredon House 321, Tenttenhall Road Tettenhall, Wolverhampton

West Midlands, WV6 0JZ United Kingdom

Ph: +44-1902793383, Email: sales@vantagesecurity.com

[www.vantagesecurity.com](http://www.vantagesecurity.com)

(AN ISO 9001 : 2008, ISO 14001 : 2004 CERTIFIED COMPANY)

