

HIGH DEFINITION 2MP IP DOME CAMERA

VP-NC3042D-F2IR1X1 IR NIGHT VISION DOME FIXED CAMERA



FEATURES

High Definition 2MP(1920 x 1080) resolution

1/2.8" Progressive Scan CMOS Sensor

Triple Stream Supported

ONVIF supported

Inbuilt 120dB True WDR, 3D DNR, ROI, HLC & BLC functions

Inbuilt Smart analytics for Line crossing detection, Intrusion detection, Face detection

Onboard SD card slot up to 128GB support

IP67 Weather proof outdoor enclosure



TECHNICAL SPECIFICATIONS

VP-NC3042D-F2IR1X1

Camera	Image sensor	1/2.8" Progressive Scan CMOS Sensor
	Signal System	PAL/NTSC
	Effective Pixels	1920 (H) x 1080 (V)
	Minimum Illumination	Color: 0.028 lux @(F2.0, AGC ON) 0 lux with IR
	Electronic Shutter Speed	1/3 s to 1/100,000 s
	Slow Shutter	Supported
	Signal to Noise	> 52 dB
	3-Axis Adjustment	Supported
Lens	Lens Type	2.8mm Fixed Lens (4/6mm Optional)
	Field of View	Horizontal FOV: 114° , vertical FOV: 62° , diagonal FOV: 135°
	Focus	Fixed
Day/Night Functionality	Day & Night	True Day & Night with ICR
	IR Cut	High performance Mechanical IR Cut Filter with auto switch
	IR Source	Inbuilt High intensity Smart IR LEDs with intensity control
	IR Range	Up to 30 Mtr
Compression	Video compression	H.265+/H.265/H.264+/H.264/MJPEG
	H.265 codec profile	Main profile
	Video Bit Rate	32 Kbps ~ 16 Mbps
Resolution and Frame Rate	Max. Resolution	1920 x 1080
	Main Stream	50Hz:25 fps (1920 x 1080, 1280 x960,1280 x720) (640 x 360, 352 x 288) 60Hz: 30 fps (1920 x 1080, 1280 x960,1280 x720) (640 x 360, 352 x 288)
	Sub & Third Stream	50Hz: 25fps (1920 x 1080,1280 x 720, 640 x 360, 352 x 288) 60Hz: 30fps (1920 x 1080,1280 x 720, 640 x 360, 352 x 240)
Operational Features	Wide Dynamic Range (WDR)	120dB
	Backlight compensation	Supported
	DNR	Inbuilt 3D DNR (Digital Noise Reduction) circuit
	Simultaneous Live View	Up to 6 channels
	HLC	Supported
	Codec streaming capability	Triple streaming
	Image settings	Rotate mode, Saturation, brightness, contrast, sharpness adjustable by client software or web browser
	ROI (Region of Interest)	Supported
	Security	One-key reset, anti-flicker, three streams, heartbeat, mirror, password protection, privacy mask, watermark, IP address filter
	Alarm trigger	Motion detection, video tampering, network disconnected, IP address conflict, illegal login, SD Card full, SD Card error
Network & Remote Monitoring	Protocols	TCP/IP, ICMP, HTTP, HTTPS, FTP, DHCP, DNS, DDNS, RTP, RTSP, RTCP, PPPoE, NTP, UPnP, SMTP, SNMP,IGMP, 802.1X, QoS, IPv6, Bonjour
	System compatibility	ONVIF (PROFILE S, PROFILE G, PROFILE T)
	CMS	Full function CMS (Central monitoring software)
	Mobile Client Application	Supports android and iOS APP for Smart phone and tablets
	Bandwidth control	VBR (Automatic) and CBR (Manual) supported
Interface	Network Storage	Support Micro SD/SDHC/SDXC card (128G), local storage and NAS (NFS,SMB/CIFS), ANR
	Ethernet	1 RJ45 10/100 Ethernet port
Analytics Feature	Power Input	Standard DC Jack
	Smart Analytics	Intrusion Detection, Line Crossing Detection, Face Detection

TECHNICAL SPECIFICATIONS

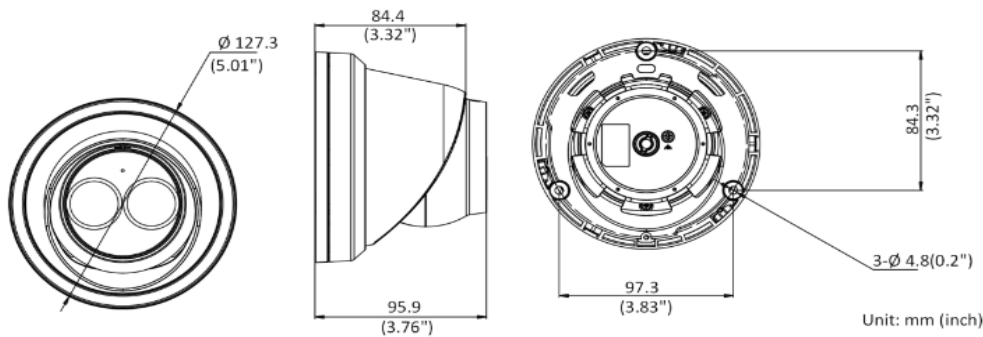
VP-NC3042D-F2IR1X1

Electrical	Power Requirement	12 VDC \pm 25% , PoE (802.3af, class 3)
	Power Consumption	Max. 7.5W
Environmental	Enclosure	IP67 Weather proof outdoor enclosure
	Operating Temperature	-30°C to + 60°C
	Operating Humidity	95% or less (non-condensing)
Mechanical	Color	White
	Dimensions	Φ 127.3 x 95.9 mm
	Weight	640g
Certifications	Certifications	UL, CE , FCC , RoHS

*Exact products and specifications shown may vary by geographic region and are subject to change without notice. Weights and measurements are approximate and may vary.

DIMENSIONS

Unit: mm



VANTAGE INTEGRATED SECURITY SOLUTIONS LIMITED

B3, Bredon House 321, Tenttenhall Road Tettenhall, Wolverhampton

West Midlands, WV6 0JZ United Kingdom

Ph: +44-1902793383, Email: sales@vantagesecurity.com

www.vantagesecurity.com

(AN ISO 9001 : 2008, ISO14001 : 2004 CERTIFIED COMPANY)

