

FULL HIGH DEFINITION HIGH SPEED PTZ DOME CAMERA

VP-AC5M10P-3S33IRB1
5MP, 10X ARRAY IR NIGHT VISION OUTDOOR PTZ CAMERA



FEATURES

5 Megapixel Full HD Resolution

1/2.7" Sony Exmor Progressive Scan

Powerful 10x Optical zoom

360° endless panning

Inbuilt Array IR up to 80 mtrs IR range

Inbuilt 3D DNR & BLC functions

Supports presets/pattern/patrol/pan scan

IP66 Weatherproof Outdoor Enclosure



TECHNICAL SPECIFICATIONS

VP-AC5M10P-3S33IRB1

Camera	Image sensor	1/2.7"Sony Exmor Progressive Scan Sensor
	Signal System	PAL/NTSC
	Effective Pixels	2592 (H) x 1944 (V)
	Frequency	50 Hz (PAL) / 60 Hz (NTSC)
	Horizontal Resolution	5 Megapixel
	Minimum Illumination	Color : 0.01Lux @ F1.2, B&W: 0.0015 lux @ F1.4,0 Lux at IR on
	Signal to Noise	> 52 dB
	Gain Control	Auto / Manual / Off
	White Balance	Auto/ Manual / Indoor/ Outdoor
	DNR	Inbuilt 2D/ 3D DNR (Digital Noise Reduction) circuit
	Iris	Auto Iris
	Gamma Correction	0.45
	Sync System	Internal
Lens	Lens Type	5.1 to 51mm (10x Optical Zoom)
	Angle of View	H 47°(W)~ 5.3°(T) ; V35.6°(W)~ 3.96°(T)
	Focus	Auto Focus/ Manual Focus
	Zoom	10x Optical Zoom
	Zoom Speed	Approx 2s (Optical Wide-Tele)
Day/Night Functionality	Day & Night	True Day & Night with ICR
	IR Cut	High performance Mechanical IR Cut Filter with auto switch
	IR Source	Inbuilt 6 x high performance High Power Array IR LEDs
	IR Range	Up to 80 Mtrs
	IR irradiation angle	Automatically adjusted, depending on the zoom ratio
IR Life	40000 operation hours	
Pan-Tilt	Pan Angle	360° endless pan rotation
	Tilt Angle	0° to 93° (Auto Flip)
	Pan Speed	0.1° ~ 200°/s
	Tilt Speed	0.1° ~ 100°/s
	Presets	220
	Preset Accuracy	±0.1°
	Patrol	3 Patrols, up to 16 presets per patrol
	PTZ position display	Supported
Operational Features	OSD Menu	Supported
	Camera ID	On/Off
	Motion Detection	Supported, 8 zone configuration
	BLC	Supported
	Video Adjustment	Supported
	WDR	D-WDR
	Electronic Shutter Speed	1/50 ~ 1/10000s
	Protocols	PELCO-P, PELCO-D, Multi protocol support
	Baud Rate	2400/4800/9600bps
Interface	Power Input	Standard DC Jack / 2Pin Wired Terminal
	Data Communication	RS-485
	Video Output	1 BNC Video Output (AHD/TVI/CVI/CVBS selectable)
Electrical	Power Requirement	DC 12V (± 10%)
	Power Consumption	Max 25 W

TECHNICAL SPECIFICATIONS

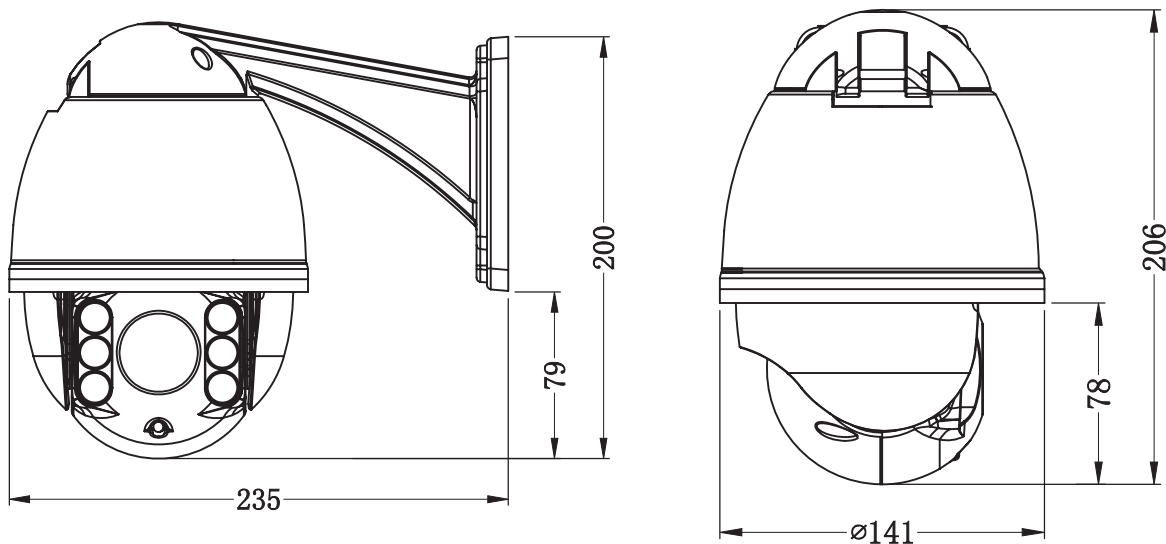
VP-AC5M10P-3S33IRB1

Environmental	Enclosure	IP66 Weather proof outdoor enclosure
	Protection	TVS 4,000V lightning protection, surge protection and voltage transient protection
	Mounting bracket	External Mounting bracket included
	Operating Temperature	-40°C to +60°C
	Operating Humidity	95% or less (non-condensing)
Mechanical	Color	White
	Dimension	206x 141mm
Certifications	Certifications	UL, CE, FCC, RoHS

*Exact products and specifications shown may vary by geographic region and are subject to change without notice. Weights and measurements are approximate and may vary.

DIMENSIONS

Unit: mm



VANTAGE INTEGRATED SECURITY SOLUTIONS LIMITED

B3, Bredon House 321, Tenttenhall Road Tettenhall, Wolverhampton

West Midlands, WV6 0JZ United Kingdom

Ph: +44-1902793383, Email: sales@vantagesecurity.com

www.vantagesecurity.com

(AN ISO 9001 : 2008, ISO14001 : 2004 CERTIFIED COMPANY)

