

# ULTRA HIGH DEFINITION FIXED BULLET CAMERA

## VP-AC4M64B-A04F3T1 4 MP IR ULTRA HD CAMERA



### FEATURES

4 Megapixel Ultra High Definition Resolution

1/3" Progressive Scan Sensor

High performance SMART IR LEDs with intensity control

High performance IR Cut mechanical filter for True Day & Night vision

Inbuilt IR LEDs for 40 mtr IR range

3 megapixel 3.6 mm IR corrected lens

Auto White Balance

IP66 Weather proof outdoor enclosure



## TECHNICAL SPECIFICATIONS

### VP-AC4M64B-A04F3T1

Camera	Image sensor	1/3" Progressive Scan Sensor
	Signal System	PAL/NTSC
	Effective Pixels	2592(H) x 1520(V)
	Frequency	50 Hz (PAL) / 60 Hz (NTSC)
	Horizontal Resolution	4 Megapixel
	Minimum Illumination	Color : 0.01Lux @ F1.2, 0.015 lux @ F1.4, B&W: 0 Lux at IR
	Gain Control	Auto
	White Balance	Auto (2000K to 10000K)
	Signal to Noise	> 62 dB
	DNR	Inbuilt 3D DNR (Digital Noise Reduction) circuit
	Auto Iris	DC Drive
	Gamma Correction	0.45
	Sync System	Internal
Lens	Lens Type	3 Megapixel 3.6mm IR corrected lens
	Lens Mount	ϕ 14
	Focus	Fixed
Day/Night Functionality	Day & Night	True Day & Night with ICR
	IR Cut	High performance Mechanical IR Cut Filter with auto switch
	IR Source	High performance Smart IR LEDs with intensity control
	IR Range	Up to 40 Mtrs
	IR Life	40000 Operation Hours
Operational Features	Function Control	OSD ( COC Control )
	WDR	Supported
	BLC	Supported
	Motion Detection	Supported
	Defog	Supported
	Privacy Masking	Supported
	HLC	Supported
	Mirror Image	Supported
Interface	Video Output	1 Analog AHD Video output
	Power Input	Standard DC Jack
Electrical	Power Requirement (± 10%)	12 VDC ± 10%
	Power Consumption	Max 5 W with IR on
Environmental	Enclosure	IP66 Weather proof Outdoor Enclosure
	Operating Temperature	-20°C to + 65°C
	Operating Humidity	95% or less (non-condensing)

## TECHNICAL SPECIFICATIONS

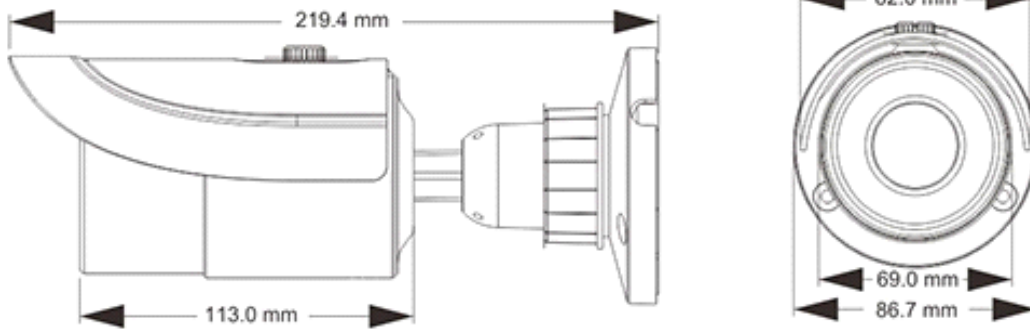
# VP-AC4M64B-A04F3T1

Mechanical	Color	White
	Dimensions	Φ 87 x 219.4 mm
Certifications	Certifications	CE, FCC, RoHS

\*Exact products and specifications shown may vary by geographic region and are subject to change without notice. Weights and measurements are approximate and may vary.

## DIMENSIONS

Unit: mm



## VANTAGE INTEGRATED SECURITY SOLUTIONS LIMITED

B3, Bredon House 321, Tenttenhall Road Tettenhall, Wolverhampton

West Midlands, WV6 0JZ United Kingdom

Ph: +44-1902793383, Email: sales@vantagesecurity.com

[www.vantagesecurity.com](http://www.vantagesecurity.com)

(AN ISO 9001 : 2008, ISO 14001:2004 CERTIFIED COMPANY)

