

FULL HIGH DEFINITION

4MP IP MINI PTZ DOME CAMERA

VP-NC9784P-AZ4IR2T1

Intrusion Deterrence Night Vision Camera



FEATURES

Full High Definition 4MP (2560×1440) resolution

1/2.7" Progressive Scan CMOS Sensor

Bi-directional audio, built-in Mics & Speaker

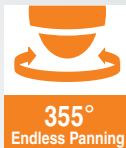
Support H.265/H.264 video compression

4x optical zoom, fast and accurate

355° endless panning

Inbuilt IR LEDs for up to 50 mtrs IR range

IP66 Weather proof outdoor enclosure



TECHNICAL SPECIFICATIONS

VP-NC9784P-AZ4IR2T1

Camera	Image sensor	1/2.7" Progressive Scan CMOS Sensor
	Signal System	PAL/NTSC
	Effective Pixels	2560 (H) × 1440 (V)
	Minimum Illumination	Color:0.01Lux @ (F1.6,AGC ON); B/W:0.002Lux @(F1.6,AGC ON); 0 Lux with IR
	Electronic Shutter Speed	50Hz: 1/25s~1/25,000s, 60Hz: 1/30s~1/30,000s
	Signal to Noise	> 52 dB
	Gain Control	Auto / Manual
	White Balance	Auto/Manual//Indoor/Outdoor
Lens	Lens Type	2.8-12mm motorized zoom lens,4x optical
	Field of View	Horizontal: 97° to 31°±5%;Vertical: 51° to 18°±5%; Diagonal: 115° to 36°±5% (wide-tele)
	Zoom	4x Optical Zoom
	Zoom Speed	Approx. 1.6s (wide-tele)
	Aperture Range	F1.6 ~ F2.7 (wide-tele)
Compression	Video Compression	H.265+/H.265/H.264+/H.264/MJPEG
	H.265 Codec Profile	H.265/HEVC codec MP, level 5.0
	Video bit rate	64Kbps ~ 16Mbps
	Audio Compression	G.711 A/U
	Audio bit rate	64Kbps
Resolution and Frame Rate	Max. Resolution	2560x1440
	Main Stream	50Hz: 25fps (2560x1440,2048x1536,1920x1080,1280x960,1280x720) 60Hz: 30fps (2560x1440,2048x1536,1920x1080,1280x960,1280x720)
	Sub Stream	50Hz: 25fps (704 × 576, 640 × 480, 352 × 288) 60Hz: 30fps (704 × 480, 640 × 480, 352 × 240)
	Third Stream	50 Hz: 25fps (1280 × 720, 704 × 576, 640 × 480, 352 × 288) 60 Hz: 30fps (1280 × 720, 704 × 480, 640 × 480, 352 × 240)
Day/Night Functionality	Day & Night	Auto/Manual
	IR Cut	High performance Mechanical IR Cut Filter with auto switch
	White Light Distance	Up to 30m, 2pcs of White LED Array
	IR Range	Up to 50m,4pcs of IR Array into 2 Groups, auto switch with zoom ratio
	White Light Mode	Flush mode, torque mode ,time interval adjustable
Pan-Tilt	Pan Angle	355° endless pan rotation
	Tilt Angle	-5° to 90° (Auto Flip)
	Pan Speed	0.1° ~ 80°/s(Manual), 0.1° ~ 80°/s(Preset)
	Tilt Speed	0.1° ~ 60°/s(Manual), 0.1° ~ 60°/s(Preset)
	Presets	300
	Patrol	8 patrols, up to 16 presets per patrol
	Tour Pattern	4 traces, record time over 3 minutes for each trace
	Power-off Memory	Supported
	PTZ position display	Supported
	3D Positioning	Supported
	Scheduled Task	Preset/Cruise/Trace/Random Scan/Boundary Scanning /Dome reboot
	Action mode	Preset/Cruise/Trace/Auto Scan/Random Scan
Proportional Zoom	Supported	

TECHNICAL SPECIFICATIONS

VP-NC9784P-AZ4IR2T1

Operational Features	Alarm Linkage	Alarm actions, such as Preset, Cruise, Trace, Memory Card Video Record, Trigger Recording, Notify Surveillance Center, Upload to FTP/Memory Card, Send Email, etc.
	Font overlay	Max 15characters per line, 8lines max, white color or red color
	HLC	Supported
	BLC	Supported
	Picture overlay	Logo picture could be overlaid on video with 128x128pixels,24bits BMP format
	WDR	Supported
	Privacy Mask	4 Programmable privacy masks
	3D DNR	Auto/Manual
	Codec streaming capability	Triple streaming
	Image settings	Flip, Mirror, Saturation, Brightness, Contrast, Sharpness, AGC, and AWB adjusted by client
	Security	User authentication (ID and PW), Host authentication (MAC address); HTTPS encryption, IEEE802.1x port-based network access control; IP address filtering
	Onboard Storage	Support microSD/TF card, up to 256GB
	Basic event	Motion detection, Video tampering alarm, Exception (Network disconnected, IP address conflict, SD full, SD error)
Network & Remote Monitoring	Protocols	HTTP, HTTPS, IPv4/IPv6, 802.1x, QoS, FTP, SMTP, UPnP, SNMP, DNS, DDNS, NTP, RTSP, RTCP, RTP, TCP/IP, UDP, IGMP, ICMP,DHCP, PPPoE
	System Compatibility	ONVIF
	CMS	Full function CMS (Central monitoring software)
	User Access	16 users online with professional authority management
	Mobile Client Application	Supports android and iOS APP for Smart phone and tablets
	Bandwidth Control	VBR (Automatic) and CBR (Manual) supported
	Reset button	Supported
Interface	Web Browser	IE8-11,plug-in free
	Ethernet	1 RJ45 10M/100M Adaptive Ethernet (Support PoE+)
	Alarm Input/Output	1CH alarm input; 1CH alarm output
	Audio Input/Output	1 audio input/1 audio output, line level, impedance,600Ω
	Built-in speaker	4Ω, 2.5Watt. Rotation with camera lens direction, up to 30m distance audible
	Built-in MIC	1channel, rotation with camera lens direction, up to 8m distance voice recordable
Smart Analytics	Audio device switch	Default use built-in speaker and MIC, manually switch to external
	Smart Features	Tripwire, Bi-directional tripwire, Illegal intrusion detection, Region entrance detection, Region exiting detection
	Smart Tracking	Smart tracking of human or vehicle, auto/manual
	Face Recognize	Support human face detection & capture, Max 7 human faces per scene
	Road Traffic	Vehicle detecting and tracking
	Active Deterrence	Flush strong white light and predefined voice upon invaders detected.
Dual way talk	Supported	

TECHNICAL SPECIFICATIONS

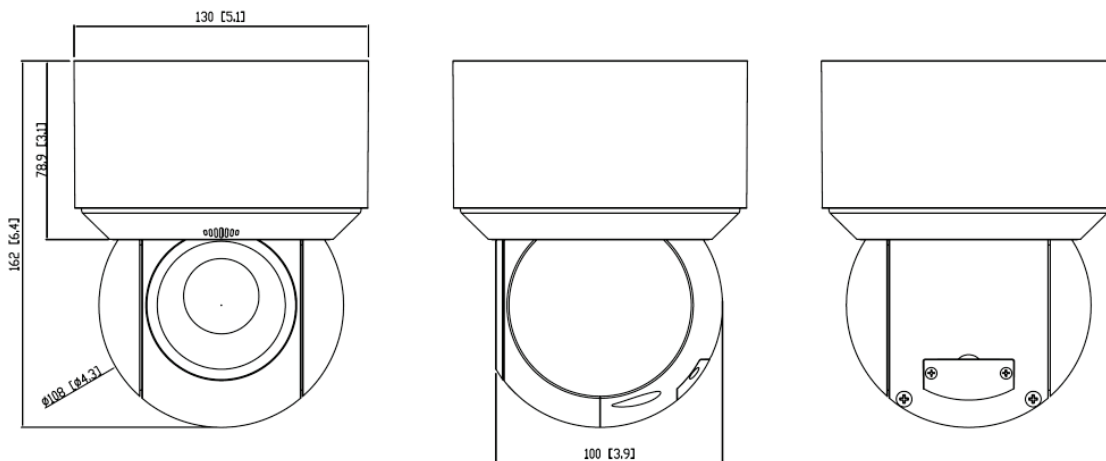
VP-NC9784P-AZ4IR2T1

Electrical	Power Requirement	DC12V±20%,2000mA,or PoE+ (802.3.at)
	Power Consumption	MAX. 18.9W (LED + Speaker on + PT Rotation)
Environmental	Enclosure	IP66, 6,000V Lightning Protection, Surge Protection and Voltage Transient Protection
	Impact Protection	IK10 (include lens window)
	Heat and Fan	Built-in temperature sensor, auto shut down at over-temperature; auto heat at cold start. No built-in fan
	Water removal	Dust and Water-resistant coating for lens cover
	Operating Temperature	-40°C to +65°C
	Storage Temperature	-40°C to +70°C
	Operating Humidity	90% or less (non-condensing)
Mechanical	Color	White
	Dimensions	Φ 130mm x 162mmH
	Weight	Approx. 1.2KG
Certification	Certification	UL, CE, FCC,RoHS

*Exact products and specifications shown may vary by geographic region and are subject to change without notice. Product image, weights and measurements are approximate and may vary due to customized solutions & products being offered as per customer requirements.

DIMENSIONS

Unit: mm



VANTAGE INTEGRATED SECURITY SOLUTIONS LIMITED

B3, Bredon House 321, Tenttenhall Road Tettenhall, Wolverhampton

West Midlands, WV6 0JZ United Kingdom

Ph: +44-1902793383, Email: sales@vantagesecurity.com

www.vantagesecurity.com

(AN ISO 9001 : 2008, ISO14001 : 2004 CERTIFIED COMPANY)

